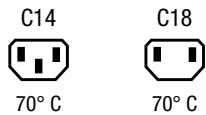


IEC Appliance Inlet C14 or C18 with Circuit Breaker TA35 2-pole



See below:  
[Approvals and Compliances](#)

**Description**

- Panel mount :  
Screw-on version from front or rear side, snap-in version from front side
- 2 Functions :  
Appliance Inlet , protection class I or II , Circuit breaker type TA35 , 2-pole
- Pre-wired coupling
- V-Lock notch standard
- Quick connect terminal 6.3 x 0.8 mm

**Unique Selling Proposition**

- Variant tested for IP67 into the appliance
- Various mounting options
- Recessed rocker prevents accidental manipulation
- Compatible with V-Lock cord retention

**Characteristics**

- Connector and circuit breaker are prewired
- Circuit Breaker non-illuminated or illuminated
- Suitable for use in equipment according to IEC/UL 60950

**Other versions on request**

- Version without pre-wiring from inlet to circuit breaker
- Protection class II, 70°C
- Variants in white

**References**

Substitute for type [6135](#)  
 Component: circuit breakers [TA35 Rocker 2Pole](#)

**Weblinks**

[pdf datasheet](#), [html-datasheet](#), [General Product Information](#), [Distributor-Stock-Check](#), [Accessories](#), [Detailed request for product](#), [Microsite](#)

**Technical Data**

Ratings IEC	10A / 250VAC; 50Hz	appliance inlet/-outlet	C14 / C18 acc. to IEC 60320-1
Ratings UL/CSA	15A / 250VAC; 60Hz		UL 60320-1, CSA C22.2 no. 60320-1
Dielectric Strength	> 2.5 kVAC between L-N		(for cold conditions) pin-temperature 70 °C, 10A, Protection Class I or II
	> 3 kVAC between L/N-PE (1 min/50Hz)		
Allowable Operation Temperature	-25 °C to 60 °C	Circuit Breakers	Acc. IEC/EN 60934, UL 1077, CSA 22.2 no. 235
IP-Protection	from front side IP40 or IP67 acc. to IEC 60529		2-pole rocker switch, illuminated or non-illuminated.
Insulation cover	Suitable for appliances with protection class I or II acc. to IEC 61140		Conditional short circuit Inc: 2000 A
Terminal	Quick connect terminals 6.3 x 0.8 mm		
Panel Thickness S	Screw: max 8 mm		
	Recommended torque min 0.25Nm		
	Snap-in : S =1/1.2/1.5/2/2.5/3 mm		
Material: Housing	Thermoplastic, black, UL 94V-0		

**Approvals and Compliances**

Detailed information on product approvals, code requirements, usage instructions and detailed test conditions can be looked up in [Details about Approvals](#)




**Approvals**

The approval mark is used by the testing authorities to certify compliance with the safety requirements placed on electronic products.  
 Approval Reference Type: DG11

Approval Logo	Certificates	Certification Body	Description
	VDE Approvals	VDE	Certificate Number: 40048151
	UL Approvals	UL	UL File Number: E96454
	CQC Approvals	CQC	CCC Certificate Number: pending

**Product standards**

Product standards that are referenced

Organization	Design	Standard	Description
	Designed according to	IEC 60320-1	Appliance couplers for household and similar general purposes
	Designed according to	UL 60320-1	Standard for Attachment Plugs and Receptacles
	Designed according to	CSA C22.2 no. 60320-1	General Use Receptacles, Attachment Plugs, and Similar Wiring Devices






**Application standards**

Application standards where the product can be used

Organization	Design	Standard	Description
	Designed for applications acc.	IEC/UL 60950	IEC 60950-1 includes the basic requirements for the safety of information technology equipment.

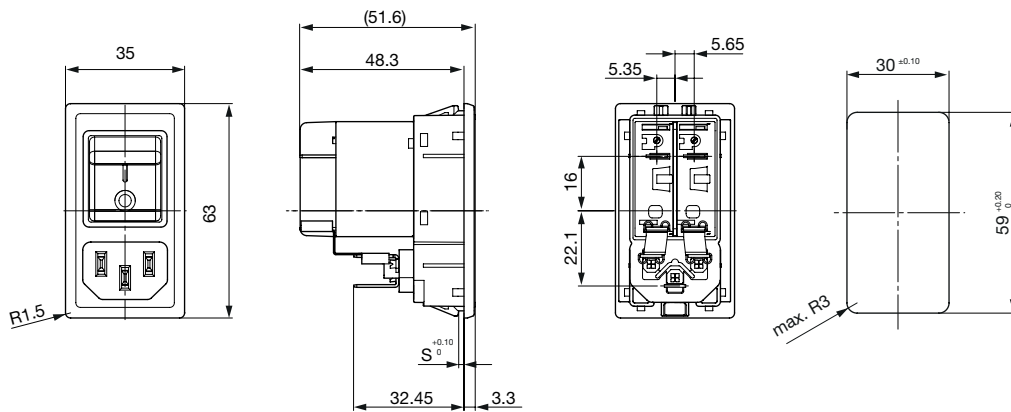
**Compliances**

The product complies with following Guide Lines

Identification	Details	Initiator	Description
	CE declaration of conformity	SCHURTER AG	The CE marking declares that the product complies with the applicable requirements laid down in the harmonisation of Community legislation on its affixing in accordance with EU Regulation 765/2008.
	RoHS	SCHURTER AG	EU Directive RoHS 2011/65/EU
	China RoHS	SCHURTER AG	The law SJ / T 11363-2006 (China RoHS) has been in force since 1 March 2007. It is similar to the EU directive RoHS.
	REACH	SCHURTER AG	On 1 June 2007, Regulation (EC) No 1907/2006 on the Registration, Evaluation, Authorization and Restriction of Chemicals 1 (abbreviated as "REACH") entered into force.
	MicrositeV-Lock	SCHURTER AG	V-Lock system are based on a matching plug-dose combination. The connector is equipped with a notch intended for use with the latching cordset. The cord latching system prevents against accidental removal of the cordset.

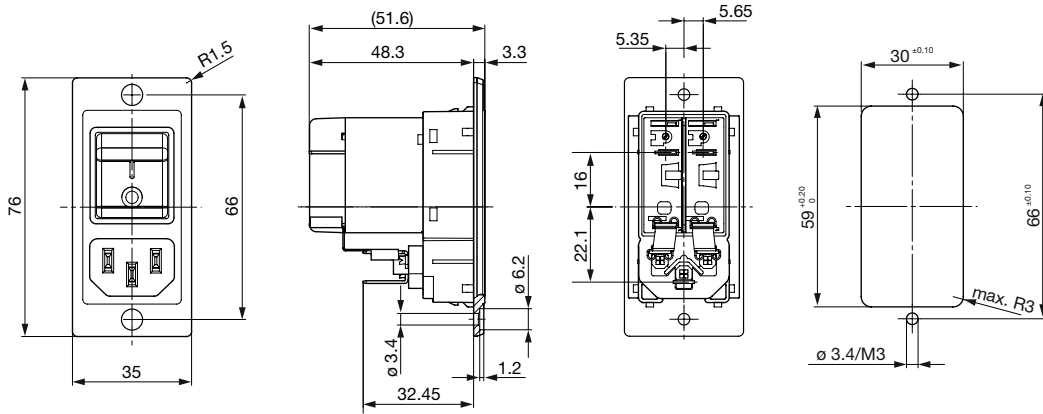
**Dimensions [mm]**

Snap-in mounting for front mount IP40

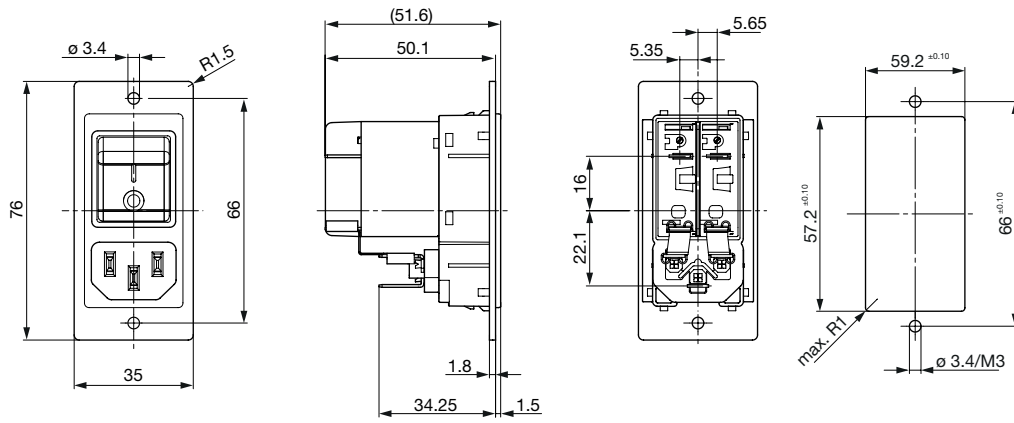


S = Panel thickness

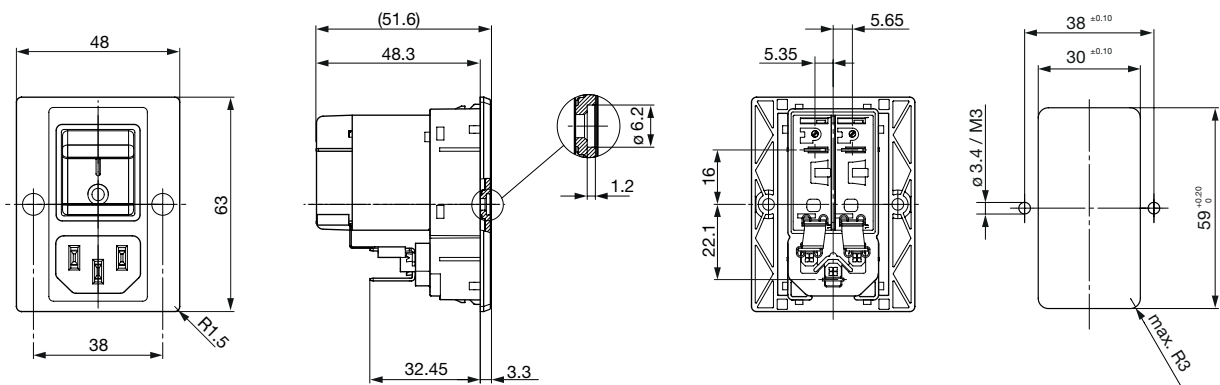
Screw-on mounting version A for front mount IP40



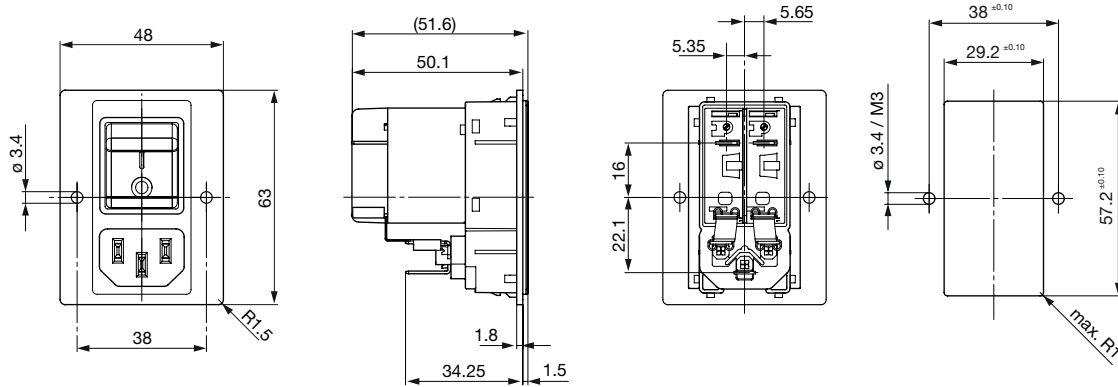
Screw-on mounting Version A for rear mount IP40



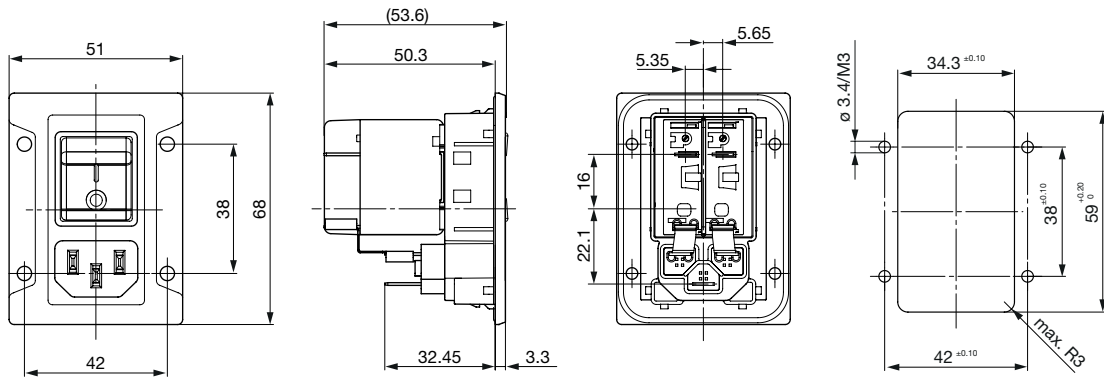
Screw-on mounting Version B for front mount IP40



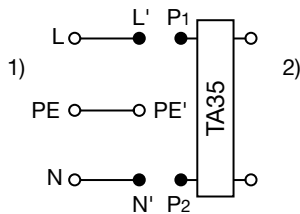
Screw-on mounting version B for rear mount IP40



Screw-on mounting for front mount IP67



Diagrams



- 1) Line
- 2) Load

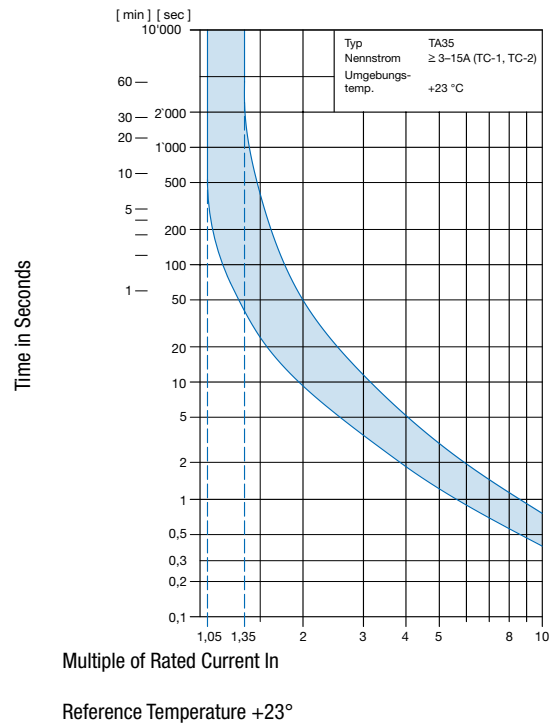
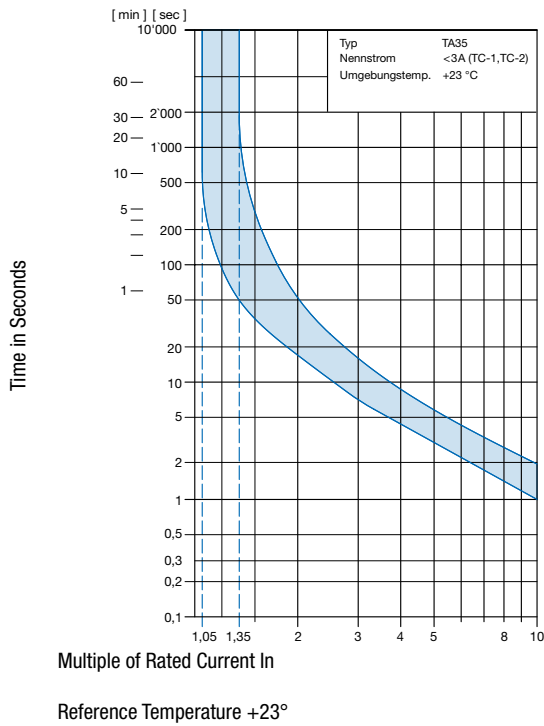
Effect of ambient temperature

The units are calibrated for an ambient temperature of +23°C. To determine the rated current for a lower or higher ambient temperature, use a correction factor (typical value) from the table below:

Ambient Temperature [°C]	Correction factor
-30	0.76
-20	0.81
0	0.90
+23	1.00
+40	1.03
+50	1.04
+60	1.06

Example: Rated current = 5 A, Environmental temperature = 50 °C --> Correction factor = 1.04, Resulting current = 5.2 A --> Fount to next higher rated current: 6 A

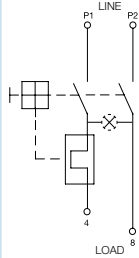
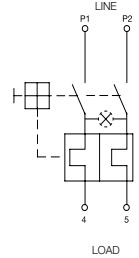
Time-Current-Curves



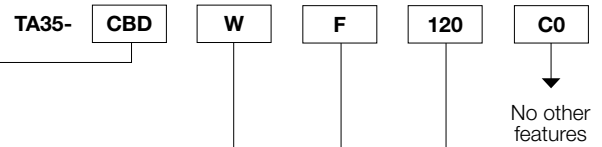
**ORDER CODE**

**Table 1 Selection for type TA35**

Order example

Number of switched poles Number of protected poles		2-pole	
		1	2
			
Switch	without illumination	<b>CBT</b>	<b>CBD</b>
Switch	illuminated 240 V 120 V	<b>C12</b> <b>C14</b>	<b>C32</b> <b>C34</b>

Other versions on request

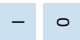
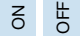
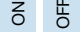
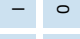



**Colours**

	Switch front	Rocker	
		non-illuminated	illuminated
<b>W</b>	black	white	-
<b>B</b>	black	black	-
<b>3</b>	black	-	red transparent
<b>4</b>	black	-	green transparent
<b>6</b>	black	-	orange transparent

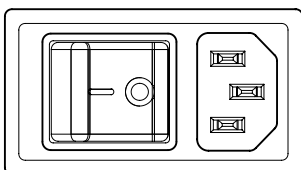
Other colours on request

**Rocker legend**

	Surface	Illustration	Colour of print
<b>F</b>	embossed		
<b>H</b>	printed		white
<b>K</b>	printed		black
<b>L</b>	printed		white
<b>M</b>	printed		black

Other legends on request

Position of the rocker legend e.g. 1 / O



**Rated current  $I_n$  (A)**

$I_n$	Code	$I_n$	Code
1,0	<b>J10</b>	8,0	<b>080</b>
2,0	<b>J20</b>	10,0	<b>100</b>
4,0	<b>040</b>	12,0	<b>120*</b>
5,0	<b>050</b>	15,0	<b>150*</b>
6,0	<b>060</b>		

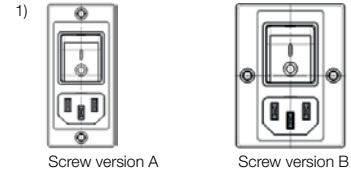
Other rated currents on request \*) UL / CSA only

**Configuration Code**

<b>Typ</b>	<b>Configuration Code (Example) TA35</b>
DG11	C B D W F 1 2 0 C 0 -000- C6135-XXX - XXX -00
	see table 1

Please note that Schurter will establish an internal part number for logistics use in addition to the order code. The format of this internal part number is, for example: 3-XXX-XXX

- Color**  
0 Black
- Panel Mounting**  
**1)**  
 00 Screw version A front mounting  
 01 Screw version B front mounting  
 02 Screw version A rear mounting  
 03 Screw version B rear mounting  
 10 Snap-in 1.0 mm  
 12 Snap-in 1.2 mm  
 15 Snap-in 1.5 mm  
 20 Snap-in 2.0 mm  
 25 Snap-in 2.5 mm  
 30 Snap-in 3.0 mm  
 88 Screw version front mounting (sealed towards housing, IP65)
- Terminal PE**  
 0 Without (PCI)  
 1 QC 6.3x0.8 mm
- Terminal N**  
 1 QC 6.3x0.8 mm (unwired)  
 3 Connection to TA35 (wired)
- Terminal L**  
 1 QC 6.3x0.8 mm (unwired)  
 3 Connection to TA35 (wired)



**All Variants**

Config. Code	Order Number
DG11-C126F100C0-000-C6135-331-200-00	3-107-924
DG11-CBDWM100C0-000-C6135-331-880-00	3-108-454
DG11-CBDBL100C0-000-C6135-331-010-00	3-108-463
DG11-CBDWM100C0-000-C6135-331-150-00	3-109-713
DG11-CBDWM100C0-000-C6135-331-010-00	3-109-714
DG11-CBDWM100C0-000-C6135-331-020-00	3-109-715
DG11-CBDWM150C0-000-C6135-331-150-00	3-109-716
DG11-CBDWM150C0-000-C6135-331-010-00	3-109-717
DG11-CBDWM150C0-000-C6135-331-020-00	3-109-718
DG11-CBDWM150C0-000-C6135-331-880-00	3-109-719

Most Popular.

Availability for all products can be searched real-time: <https://www.schurter.com/en/Stock-Check/Stock-Check-SCHURTER>

**Packaging unit** 10 Pcs