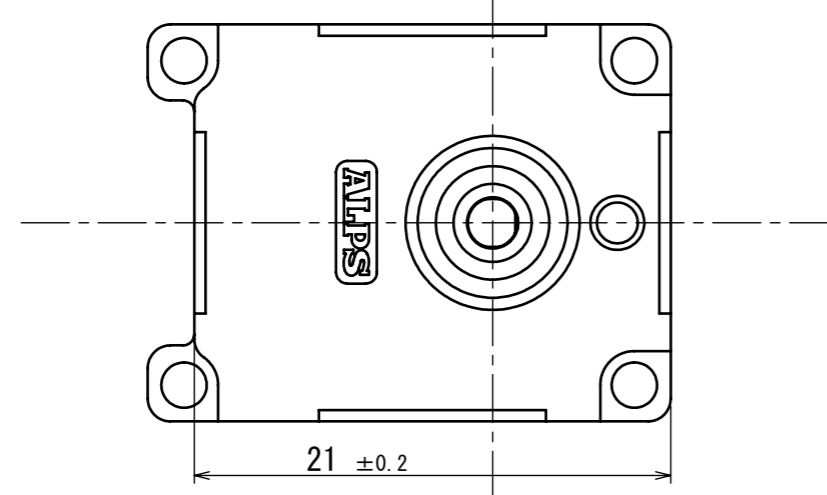
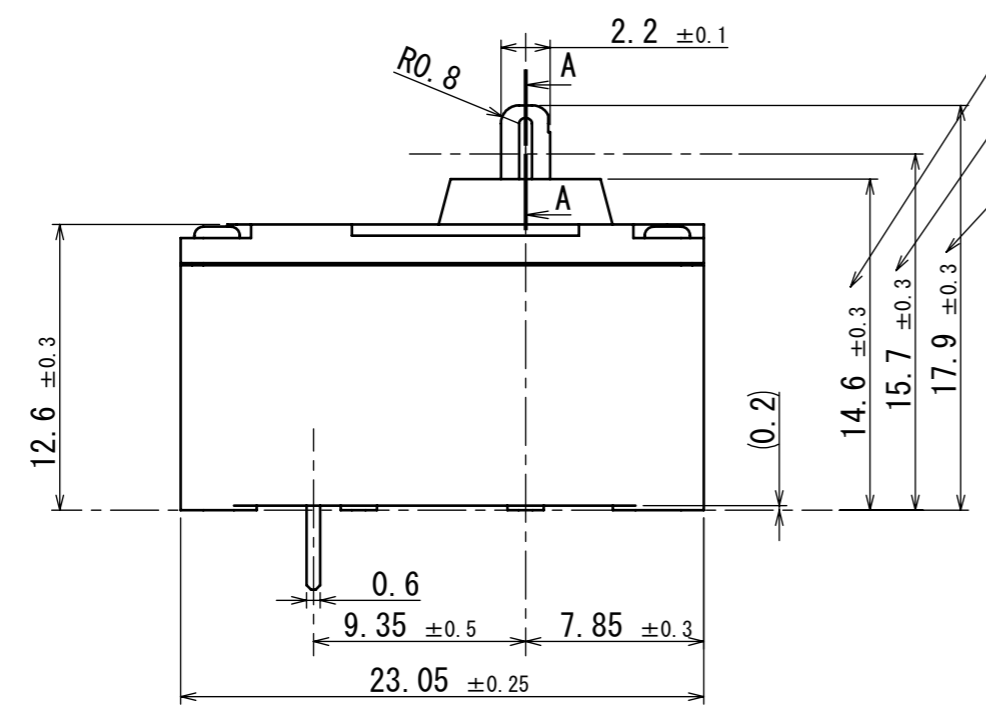
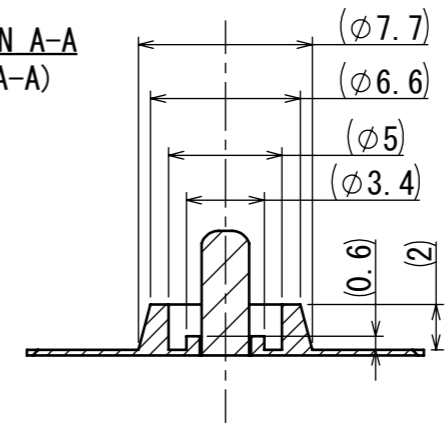


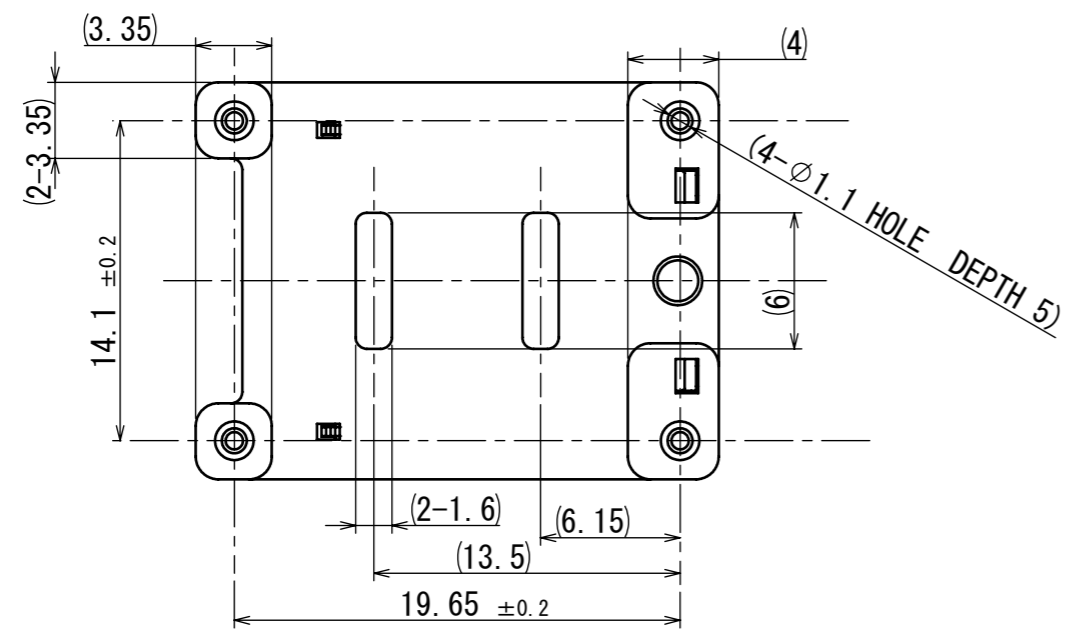
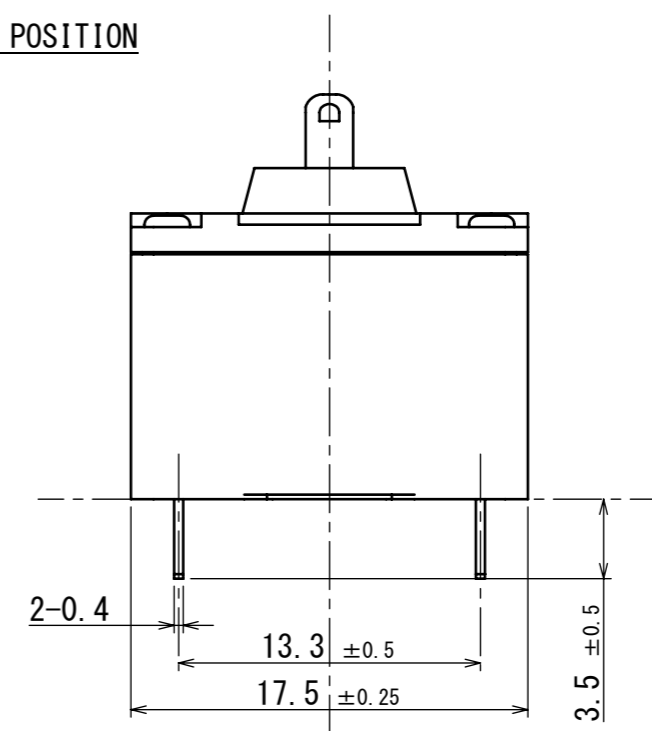
背景  
BACK GROUND  
MDD1604015



SECTION A-A  
(断面 A-A)



TOTAL TRAVEL POSITION  
(全移動量位置)  
PUSH POWER GENERATION STARTING POSITION  
(押し込み発電開始位置)  
FREE POSITION  
(自由位置)



NOTES 1. APPLICIABLE SPECIFICATION SHOULD BE IN ACCORDANCE WITH SPGA-S-001 PRODUCT SPECIFICATION.  
(注記) (適用仕様はSPGA-S-001製品仕様書による。)

					<b>ALPS ELECTRIC CO., LTD.</b>		
					DSGD. May. 12, 2017	SCALE	NO.
					S. FUJIWARA		SPGA110100
					CHKD. May. 12, 2017		TITLE
					N. NINOMIYA		PRODUCT DRAWING (製品図)
					APPD. May. 12, 2017	UNIT	DOCUMENT NO.
					N. NINOMIYA	mm	SPGA110100
SYMB	DATE	APPD	CHKD	DSGD			