

Metal Switch Medium Stroke, Switching Voltage up to 250 VAC



Description

- Momentary action switch available in version: Standard (ST), with Lettering (LE), from diameter 19 mm with Point Illumination (PI) and with Ring Illumination (RI)
- Single color or multicolor illumination
- Choice from 7 colors for multicolor variants
- Assembly method: clip micro-switch into the saddle, secure switch using mounting nut
- Equipped with flat-pin plugs to permit fast connection

Unique Selling Proposition

- Attractive tactile feedback
- High quality materials
- Long life span
- Single color or homogeneous multicolor illumination

Standards

- DIN EN 61058-1
- UL 1054

Approvals

- Approval Reference Type: MSM 22
- Low Voltage Directive 2014/35/EU: compliant; following certificate numbers apply to micro switch
- VDE / ENEC Certificate Number (Omron): 40008425, 129246, 125256
- UL / CSA File Number (Omron): E41515
- VDE / ENEC Certificate Number (Marquardt): 097550
- UL / CSA File Number (Marquardt): E41791
- KEMA / ENEC File Number (Cherry): 2089323.01
- UL / CSA File Number (Cherry): E23301
- CQC File Number (Marquardt): CQC13005090991

Characteristics

- Housing and actuator material: high-quality stainless steel
- Variety of design options regarding size, colour, illumination, connection or lettering
- Switching voltage from 30 VDC to 250 VAC, switching current from 0.1 A to 10 A
- optional with point or ring illumination
- IP-Protection: IP 67 from front side to contact area, Micro-Switch is available in versions IP 40 or IP 67
- for use in harsh environments

References

Alternative: double-pole switch: [MSM DP 19](#); [MSM DP 22](#); [MSM DP 30](#)

Alternative: switch with latching function: [MSM LA 19](#)

Alternative: switch with backlighted illumination:

Alternative: Other diameter [MSM 16](#); [MSM 19](#); [MSM 27](#); [MSM 30](#)

Weblinks

[html-datasheet](#), [General Product Information](#), [CE declaration of conformity](#), [RoHS](#), [CHINA-RoHS](#), [CAD-Drawings](#), [Product News](#), [Detailed request for product](#)

Technical Data**Electrical Data**

Switching Function	N.O., N.C., N.O./N.C.
Number of Poles	1-pole
Supply Voltage	24 / 12 / 5 VDC Ring Illumination, Point Illumination without series resistor, LED operating data are listed in separate table
Impulse Withstand Voltage (ESD)	4 kV MSM ST / MSM LE

Micro Switch 5 A / 125 VAC or 3 A / 250 VAC, IP40

Contact Material	Ag
Switching Voltage	max. 125 / 250 VAC
Switching Current	max. 5 / 3 A
Rated Switching Capacity	750 W
Lifetime	0.2 million actuations at Rated Switching Capacity
Contact Resistance	< 30 mΩ
Insulation Resistance	> 100 MΩ
Duration of Bounce	< 5 ms

Micro Switch 0,1 A / 30 VDC, IP40

Contact Material	Au
Switching Voltage	max. 30 VDC
Switching Current	max. 0.1 A
Rated Switching Capacity	3 W
Lifetime	0.2 million actuations at Rated Switching Capacity
Contact Resistance	< 50 mΩ
Insulation Resistance	> 100 MΩ
Duration of Bounce	< 5 ms

Micro Switch for Electrical Rating 10 A / 250 VAC (Protection Class IP40)

Contact Material	Ag
Switching Voltage	max. 250 VAC
Switching Current	max. 10 A
Rated Switching Capacity	2500 W
Lifetime	0.05 million actuations at Rated Switching Capacity
Contact Resistance	< 30 mΩ
Insulation Resistance	> 100 MΩ
Duration of Bounce	< 5 ms

Micro Switch 5 A / 250 VAC, IP67

Switching Voltage	max. 250 VAC
Switching Current	max. 5
Rated Switching Capacity	1250 W
Lifetime	0.05 million actuations at Rated Switching Capacity

Micro Switch 0,1 A / 250 VAC, IP67 - on request

Switching Voltage	max. 250 VAC
Switching Current	max. 0.1
Rated Switching Capacity	25 W
Lifetime	0.05 million actuations at Rated Switching Capacity

Micro Switch 10 A / 250 VAC, IP67 - on request

Switching Voltage	max. 250 VAC
Switching Current	max. 10 A
Rated Switching Capacity	2500 W
Lifetime	0.01 million actuations at Rated Switching Capacity

Mechanical Data

Actuating Force	4.5 N
Actuating Travel	1.0 mm, for mounting diameter 16, 19, 22 mm 1.2 mm for mounting diameter 30 mm
Lifetime	1.5 million actuations
Shock Protection	IK 07 for mounting diameter 19, 22, 30 mm, IK 06 for mounting diameter 16 mm
Tightening Torque Plastic Nut	max. 2 Nm for thread M16, 4.5 Nm for M19, 3.5 Nm for M22, 8 Nm for M30
Tightening Torque Stainless Steel Nut	max. 10 Nm for thread M16, 12 Nm for M19, 16 Nm for M22, 50 Nm for M30

Climatical Data

Operating Temperature	-25 to +85 °C
Storage Temperature	-25 to +85 °C
IP-Protection	IP 67 Front Side Contact Area, IP 40 Front Side mechanical, IP 40 / IP 67 Rear Side Contact Area optional
Salt Spray Test (acc. to DIN 50021-SS)	24 h / 48 h / 96 h Residence Time

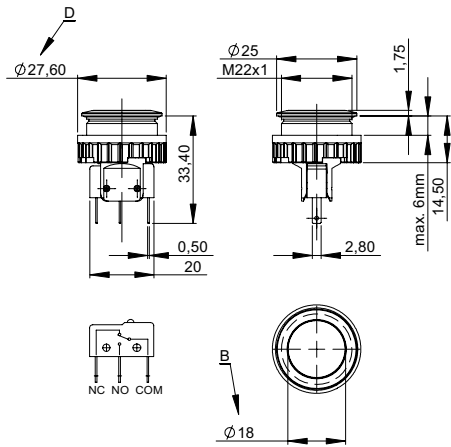
Material

Housings	Stainless Steel
Actuator	Stainless Steel
Light Conductor (Point Illumination)	PC
Illuminated Ring (Ring Illumination)	PA for single color variants PMMA for multicolor variants
Gasket	NBR70
Switcher Collet	PA

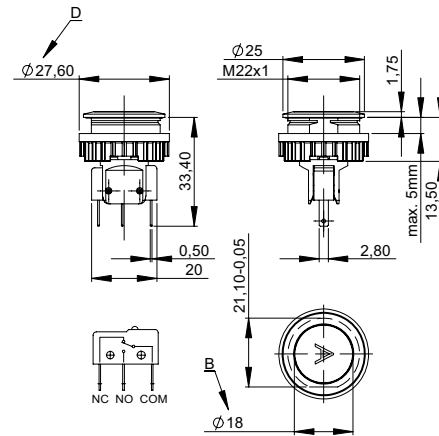
Detailed information on product approvals, code requirements, usage instructions and detailed test conditions can be looked up in [General Product Information](#)

Dimension

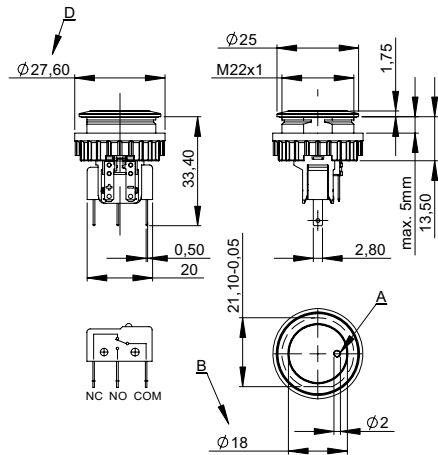
MSM 22 ST



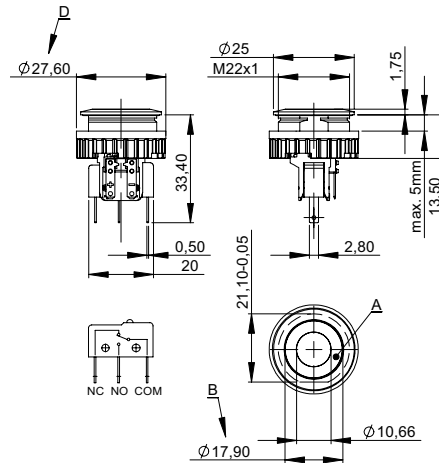
MSM 22 LE



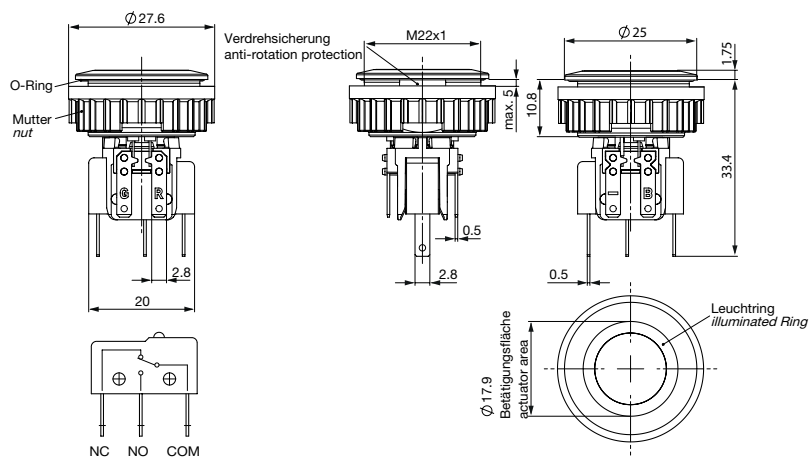
MSM 22 PI



MSM 22 RI Single color



MSM 22 RI Multicolor

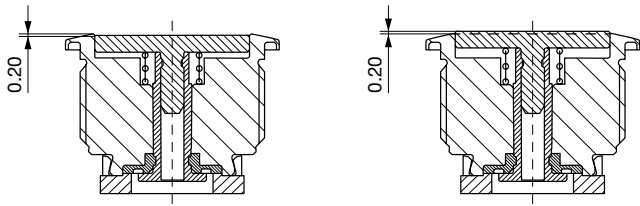


Legend

- A = Illumination Area
- B = Actuating Area
- C = Width Across Flats
- D = Nut

Tolerance Range

Actuator Tolerance Range

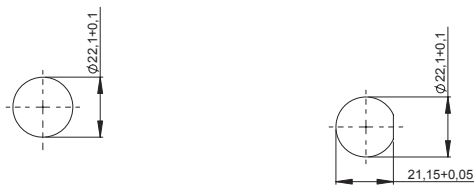


The mounting tolerance range of the actuator varies from 0.2 mm projection length and 0.2 mm short length to the housing edge. The slanting position of the actuator can range within this tolerance.

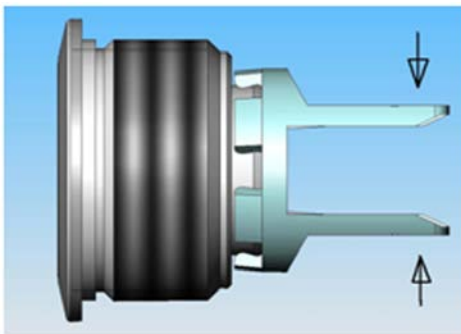
Dimension

MSM 22 ST / MSM 22 RI

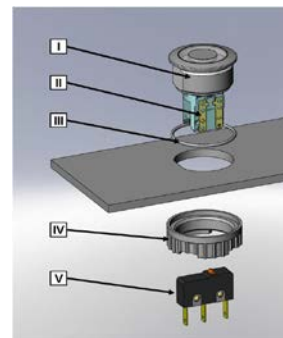
MSM 22 LE / MSM 22 PI / MSM 22 RI optional



Assembly Instructions



During assembly, the protruding bars of the holder should not be pressed together.



- I Housing
- II Flat Pin Terminal (Illumination)
- III Gasket
- IV Nut (Nut type see Dimensions)
- V Module Switching Contact

Installation Instruction:

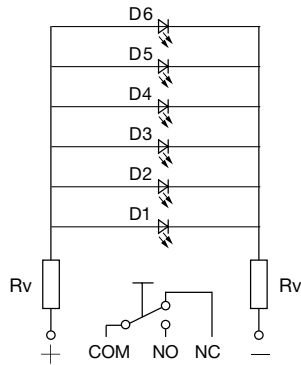
- 1.) Place the gasket accurately on the actuator housing. Then mount the actuator housing assembly into the panel.
- 2.) Tighten the screw nut according to the torque instructions.
- 3.) Clasp the module switching contact into the micro switch holder of the actuator housing.

Installation information:

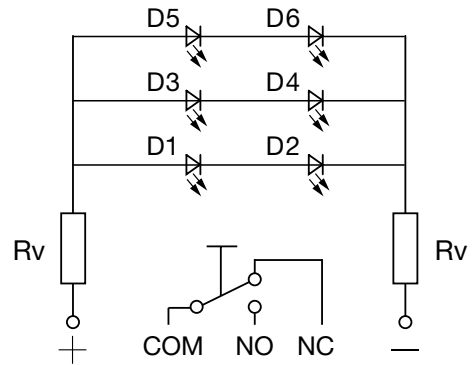
- 1.) The power supply and the configuration of the flat pin terminals have to be installed correctly for the illumination and micro switch function.
- 2.) Insulate the terminals as required. Fully insulated plug-in sleeves are recommended.
- 3.) Installation instructions according to VDE-standard DIN VDE 0100-100 or alternatively IEC 60354 standard.

Diagrams

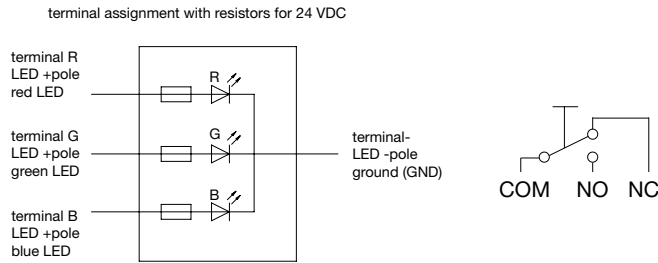
MSM RI / 5 V



MSM RI / 12 V



MSM RI / 24 V Multicolor



Lighting type	Active terminal R) ●	Active terminal G) ●	Active terminal B) ●	Resulting Color
Multicolor Singlecolor	x			Red ●
Multicolor Singlecolor		x		Green ●
Multicolor Singlecolor			x	Blue ●
Multicolor RGB Additive 2	x	x		Yellow ●
Multicolor RGB Additive 2	x		x	Magenta ●
Multicolor RGB Additive 2		x	x	Cyan ●
Multicolor RGB Additive 3	x	x	x	White ○

Multicolor lighting options

Point Illumination

Operating Data	Forward Current max.	Forward Voltage at 10 mA	Forward Voltage at 8 mA	Forward Voltage at 20 mA	Forward Voltage max.
LED red	30 mA	1.9 VDC			3.0 VDC
LED green	30 mA	2.1 VDC			3.0 VDC
LED yellow	30 mA	2.1 VDC			3.0 VDC
LED blue	20 mA		3.7 VDC		4.5 VDC
LED white	30 mA			3.6 VDC	4.0 VDC

Attention: Switches are delivered without series resistor.

Lettering

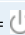
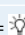
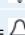
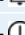
The last three digits in the order number define the lettering:

000	No Lettering
001-074	Standard Lettering
101-	Customized Lettering

Lettering Colour of Laser Lettering

Material	Lettering Colour
Stainless Steel	black Filled letters

Order Index Lettering

Laser Marking			
001 = A	021 = U	041 = ÷	061 = EIN
002 = B	022 = V	042 = *	062 = AUS
003 = C	023 = W	043 = =	063 = AUF
004 = D	024 = X	044 = #	064 = AB
005 = E	025 = Y	045 = ↔	065 = ON
006 = F	026 = Z	046 = †	066 = OFF
007 = G	027 = 0	047 = →	067 = UP
008 = H	028 = 1	048 = ←	068 = DOWN
009 = I	029 = 2	049 = ↓	069 = HIGH
010 = J	030 = 3	050 = ↑	070 = LOW
011 = K	031 = 4	051 = %	071 = ON/OFF
012 = L	032 = 5	052 = √	072 = START
013 = M	033 = 6	053 = CTRL	073 = RESET
014 = N	034 = 7	054 = RETURN	074 = 
015 = O	035 = 8	055 = SHIFT	075 = 
016 = P	036 = 9	056 = LOCK	076 = 
017 = Q	037 = +	057 = STOP	077 = 
018 = R	038 = -	058 = ENTER	
019 = S	039 = .	059 = BACK	
020 = T	040 = x	060 = LINE	

All Variants

Diameter	Switching Current	Switching Voltage	Illumination, LED	Housing Material, Torsion Protection	Actuator Material	Config. Code	Order Number
[mm]	[A]	[VAC/VDC]					
22	100 mA	30 VDC	non-illuminated	Stainless Steel ,no	Stainless Steel	MSM 22 ST	1241.6631.1110000
22	5 / 3 A	125 / 250 VAC	non-illuminated	Stainless Steel ,no	Stainless Steel	MSM 22 ST	1241.6631.1120000
22	10 A	250 VAC	non-illuminated	Stainless Steel ,no	Stainless Steel	MSM 22 ST	1241.6631.1130000
22	5 A	250 VAC	non-illuminated	Stainless Steel ,no	Stainless Steel	MSM 22 ST	1241.6631.1180000
22	100 mA	30 VDC	non-illuminated	Stainless Steel ,yes	Stainless Steel	MSM 22 LE	1241.6632.1110000
22	5 / 3 A	125 / 250 VAC	non-illuminated	Stainless Steel ,yes	Stainless Steel	MSM 22 LE	1241.6632.1120000
22	5 / 3 A	125 / 250 VAC	non-illuminated	Alu red ,yes	Stainless Steel	MSM 22 LE	1241.6632.3120000
22	5 / 3 A	125 / 250 VAC	non-illuminated	Alu red ,yes	Stainless Steel	MSM 22 LE	1241.6632.3120057
22	5 / 3 A	125 / 250 VAC	non-illuminated	Alu red ,yes	Stainless Steel	MSM 22 LE	1241.6632.3120062
22	5 / 3 A	125 / 250 VAC	non-illuminated	Alu red ,yes	Stainless Steel	MSM 22 LE	1241.6632.3120066
22	10 A	250 VAC	non-illuminated	Alu red ,yes	Stainless Steel	MSM 22 LE	1241.6632.3130062
22	5 / 3 A	125 / 250 VAC	non-illuminated	Alu green ,yes	Stainless Steel	MSM 22 LE	1241.6632.5120000
22	5 / 3 A	125 / 250 VAC	non-illuminated	Alu green ,yes	Stainless Steel	MSM 22 LE	1241.6632.5120061
22	5 / 3 A	125 / 250 VAC	non-illuminated	Alu green ,yes	Stainless Steel	MSM 22 LE	1241.6632.5120065
22	100 mA	30 VDC	Point Illumination, red	Stainless Steel ,yes	Stainless Steel	MSM 22 PI red	1241.6633.1111000
22	100 mA	30 VDC	Point Illumination, green	Stainless Steel ,yes	Stainless Steel	MSM 22 PI green	1241.6633.1112000
22	100 mA	30 VDC	Point Illumination, blue	Stainless Steel ,yes	Stainless Steel	MSM 22 PI blue	1241.6633.1114000
22	5 / 3 A	125 / 250 VAC	Point Illumination, red	Stainless Steel ,yes	Stainless Steel	MSM 22 PI red	1241.6633.1121000
22	5 / 3 A	125 / 250 VAC	Point Illumination, green	Stainless Steel ,yes	Stainless Steel	MSM 22 PI green	1241.6633.1122000
22	5 / 3 A	125 / 250 VAC	Point Illumination, blue	Stainless Steel ,yes	Stainless Steel	MSM 22 PI blue	1241.6633.1124000
22	5 / 3 A	125 / 250 VAC	Point Illumination, red / green	Stainless Steel ,yes	Stainless Steel	MSM 22 PI red / green	1241.6633.1126000
22	10 A	250 VAC	Point Illumination, red	Stainless Steel ,yes	Stainless Steel	MSM 22 PI red	1241.6633.1131000
22	10 A	250 VAC	Point Illumination, green	Stainless Steel ,yes	Stainless Steel	MSM 22 PI green	1241.6633.1132000
22	10 A	250 VAC	Point Illumination, blue	Stainless Steel ,yes	Stainless Steel	MSM 22 PI blue	1241.6633.1134000
22	100 mA	30 VDC	Ring Illumination, red, 24 VDC	Stainless Steel ,yes	Stainless Steel	MSM 22 RI red	1241.6634.1111000

Diameter	Switching Current	Switching Voltage	Illumination, LED	Housing Material, Torsion Protection	Actuator Material	Config. Code	Order Number
[mm]	[A]	[VAC/ VDC]					
22	100 mA	30 VDC	Ring Illumination, red, 5 VDC	Stainless Steel ,yes	Stainless Steel	MSM 22 RI red	1241.6634.1111000B
22	100 mA	30 VDC	Ring Illumination, red, 12 VDC	Stainless Steel ,yes	Stainless Steel	MSM 22 RI red	1241.6634.1111000E
22	100 mA	30 VDC	Ring Illumination, green, 24 VDC	Stainless Steel ,yes	Stainless Steel	MSM 22 RI green	1241.6634.1112000
22	100 mA	30 VDC	Ring Illumination, green, 5 VDC	Stainless Steel ,yes	Stainless Steel	MSM 22 RI green	1241.6634.1112000B
22	100 mA	30 VDC	Ring Illumination, green, 12 VDC	Stainless Steel ,yes	Stainless Steel	MSM 22 RI green	1241.6634.1112000E
22	100 mA	30 VDC	Ring Illumination, yellow, 24 VDC	Stainless Steel ,yes	Stainless Steel	MSM 22 RI yellow	1241.6634.1113000
22	100 mA	30 VDC	Ring Illumination, blue, 24 VDC	Stainless Steel ,yes	Stainless Steel	MSM 22 RI blue	1241.6634.1114000
22	100 mA	30 VDC	Ring Illumination, blue, 5 VDC	Stainless Steel ,yes	Stainless Steel	MSM 22 RI blue	1241.6634.1114000B
22	100 mA	30 VDC	Ring Illumination, blue, 12 VDC	Stainless Steel ,yes	Stainless Steel	MSM 22 RI blue	1241.6634.1114000E
22	100 mA	30 VDC	Ring Illumination, white, 5 VDC	Stainless Steel ,yes	Stainless Steel	MSM 22 RI white	1241.6634.1115000B
22	5 / 3 A	125 / 250 VAC	Ring Illumination, red, 24 VDC	Stainless Steel ,yes	Stainless Steel	MSM 22 RI red	1241.6634.1121000
22	5 / 3 A	125 / 250 VAC	Ring Illumination, green, 24 VDC	Stainless Steel ,yes	Stainless Steel	MSM 22 RI green	1241.6634.1122000
22	5 / 3 A	125 / 250 VAC	Ring Illumination, yellow, 24 VDC	Stainless Steel ,yes	Stainless Steel	MSM 22 RI yellow	1241.6634.1123000
22	5 / 3 A	125 / 250 VAC	Ring Illumination, blue, 24 VDC	Stainless Steel ,yes	Stainless Steel	MSM 22 RI blue	1241.6634.1124000
22	5 / 3 A	125 / 250 VAC	Ring Illumination, blue, 5 VDC	Stainless Steel ,yes	Stainless Steel	MSM 22 RI blue	1241.6634.1124000B
22	5 / 3 A	125 / 250 VAC	Ring Illumination, white, 24 VDC	Stainless Steel ,yes	Stainless Steel	MSM 22 RI white	1241.6634.1125000
22	10 A	250 VAC	Ring Illumination, red, 24 VDC	Stainless Steel ,yes	Stainless Steel	MSM 22 RI red	1241.6634.1131000
22	10 A	250 VAC	Ring Illumination, green, 24 VDC	Stainless Steel ,yes	Stainless Steel	MSM 22 RI green	1241.6634.1132000
22	5 A	250 VAC	Ring Illumination, red, 24 VDC	Stainless Steel ,yes	Stainless Steel	MSM 22 RI red	1241.6634.1181000
22	5 A	250 VAC	Ring Illumination, green, 24 VDC	Stainless Steel ,yes	Stainless Steel	MSM 22 RI green	1241.6634.1182000
22	5 A	250 VAC	Ring Illumination, blue, 24 VDC	Stainless Steel ,yes	Stainless Steel	MSM 22 RI blue	1241.6634.1184000
22	100 mA	30 VDC	Ring Illumination, multicolor, 24 VDC	Stainless Steel ,yes	Stainless Steel	MSM 22 RI multicolor	3-102-773
22	10 A	250 VDC	Ring Illumination, multicolor, 24 VDC	Stainless Steel ,yes	Stainless Steel	MSM 22 RI multicolor	3-102-784

Legend:

Type: MSM

CS = Ceramic Surface

ST = Standard: not lettered

LE = Lettering: lettered

AI = BL = Full Surface Backlighting: Lettering possible (see Lettering, last 3 digits)

Alu red = red anodized aluminum housing, actuator stainless steel

1241.6622.3120062 -> 3 last numbers (062) see Order Index Lettering

IP-Protection: IP 67 from front side to contact area, Micro-Switch is available in versions IP 40 or IP 67, see Technical Data Micro-Switch

Ring illuminated versions: supply voltage 24 VDC, 12 VDC (E), 5 VDC (B), (further 12 and 5 VDC versions on request)

Customer-specific versions available on request.

Special materials for use in salt and chlorinated environment on request.

The nut with gasket and micro switch are enclosed in the box.

■ Most Popular.

Availability for all products can be searched real-time:<http://www.schurter.com/en/Stock-Check/Stock-Check-SCHURTER>

Packaging unit 10 in box with insert or packed in air cushion bags



- Actuating elements in ESD safe packaging
- Screw nuts and sealing rings in a bag (enclosed in the box)
- Micro switches in a bag (enclosed in the box)

Accessories

Description



MSM Cover
Protection cover for MSM 19 and MSM 22



Installation Wrench MSM 22
Installation wrench