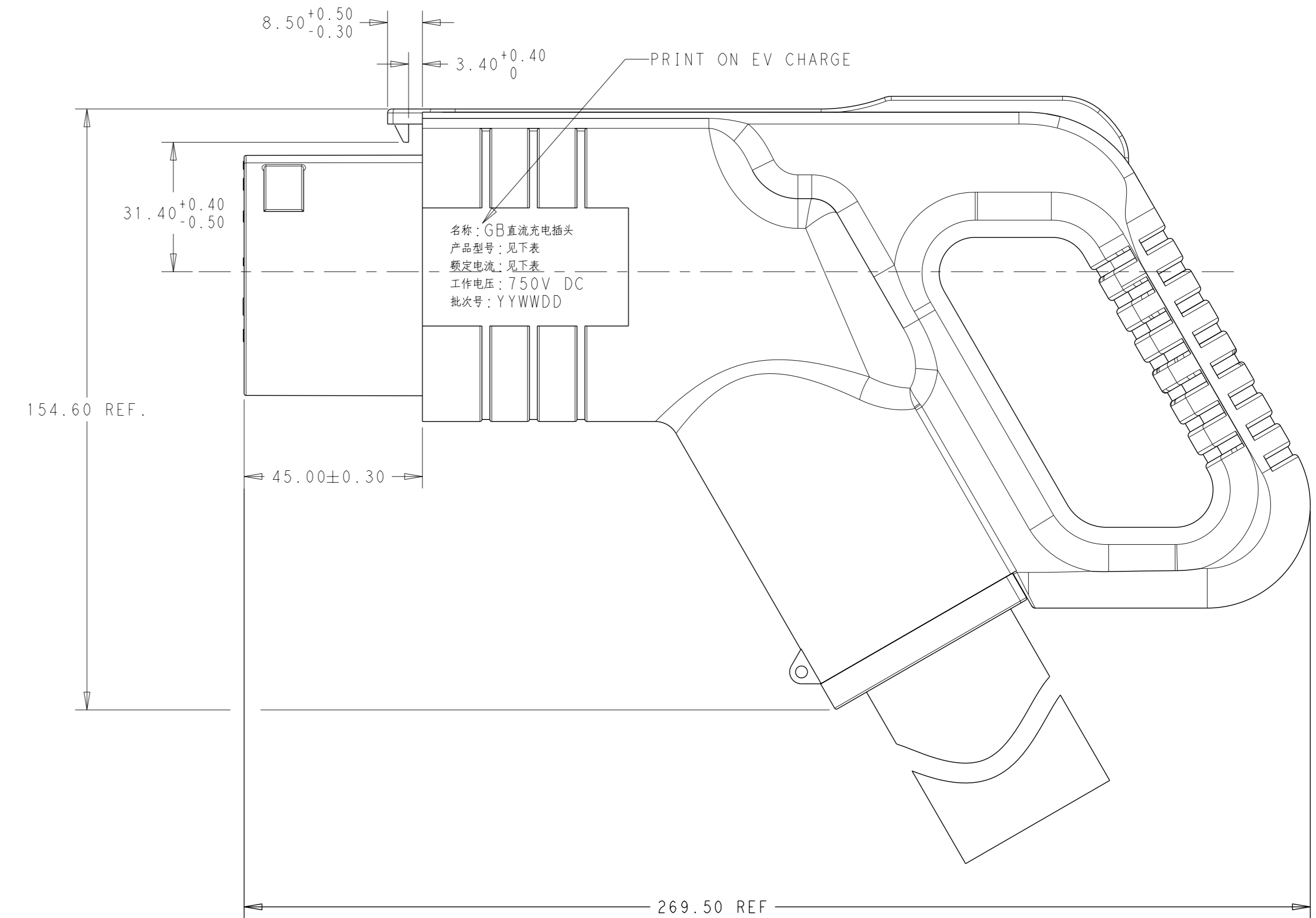
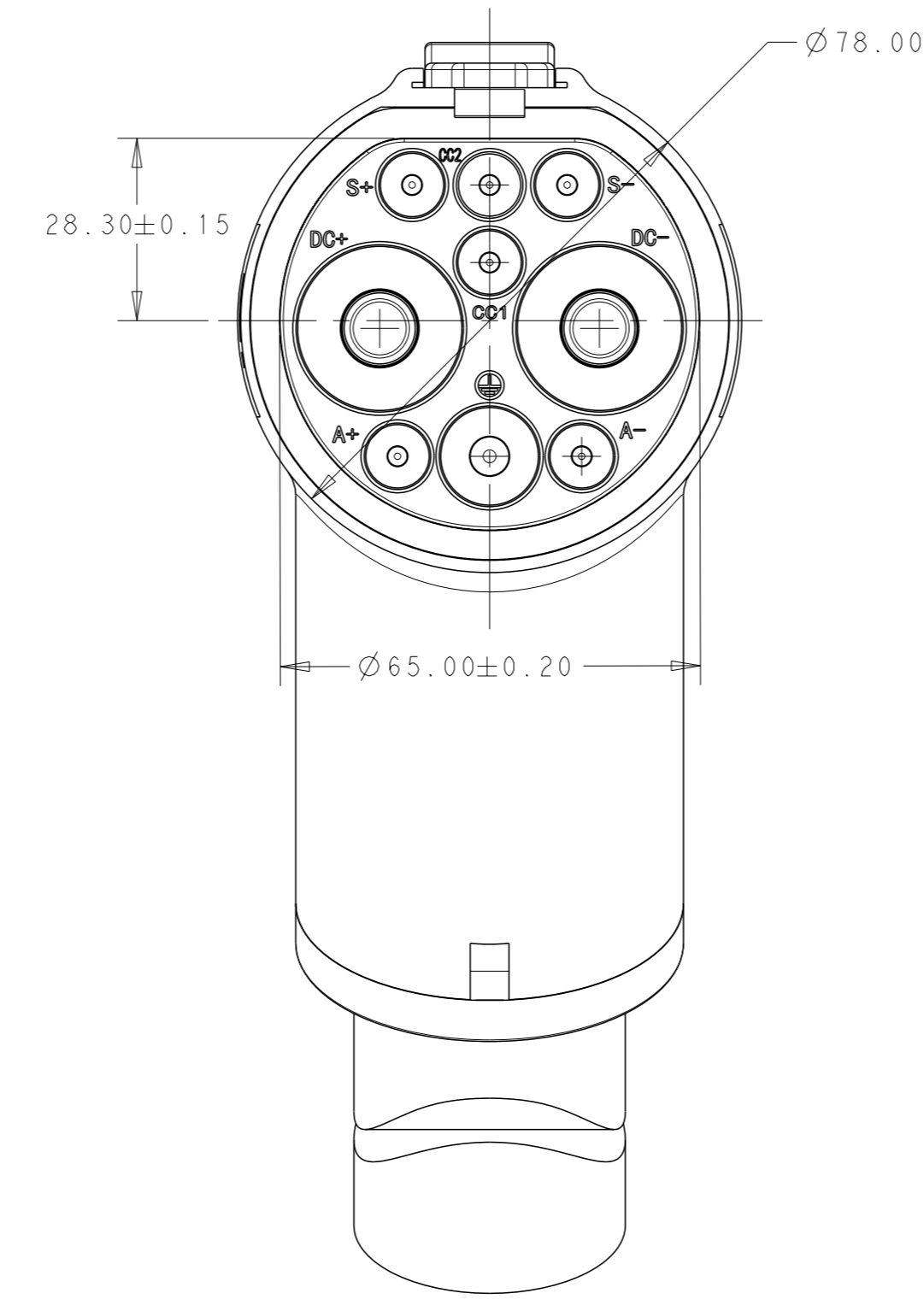
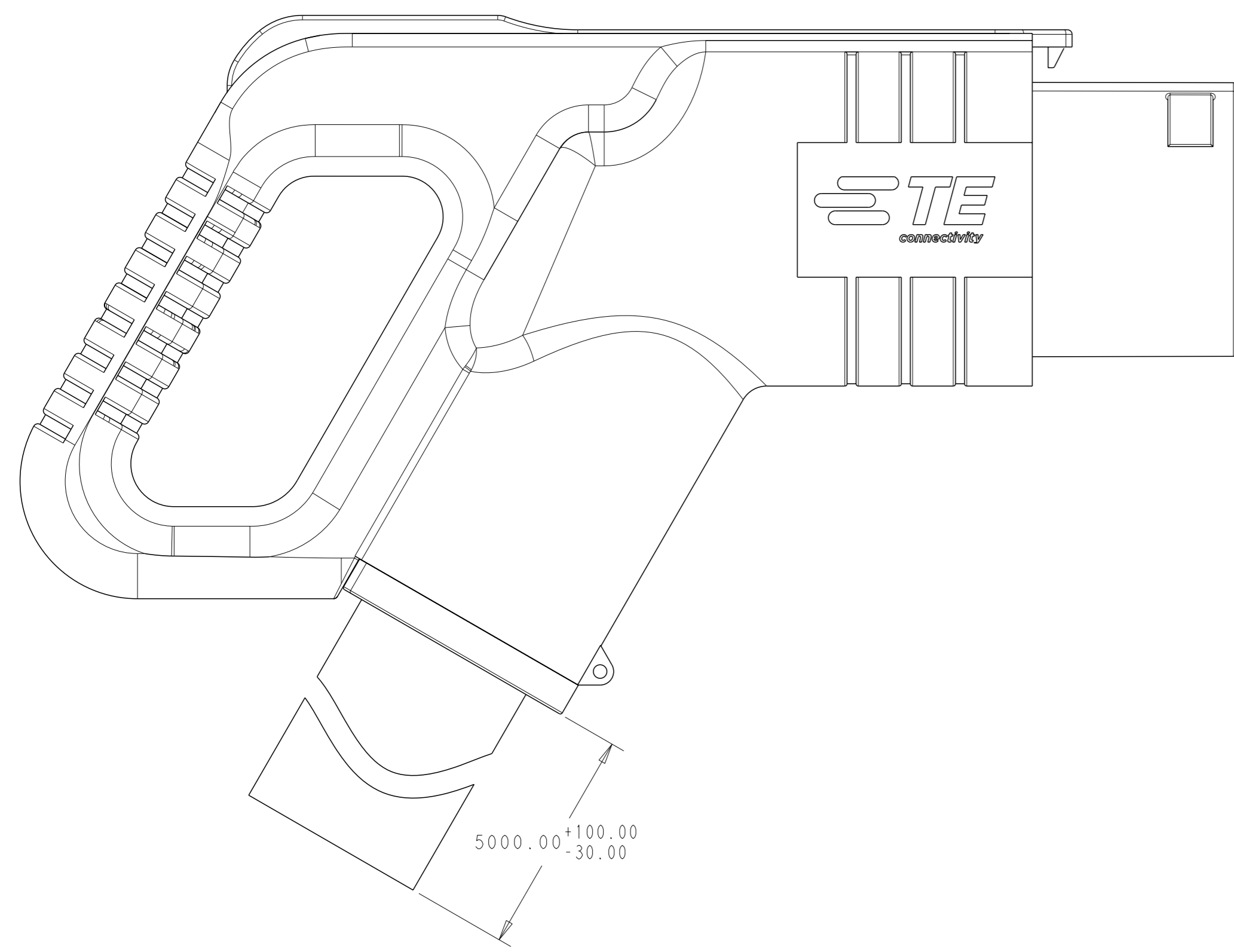
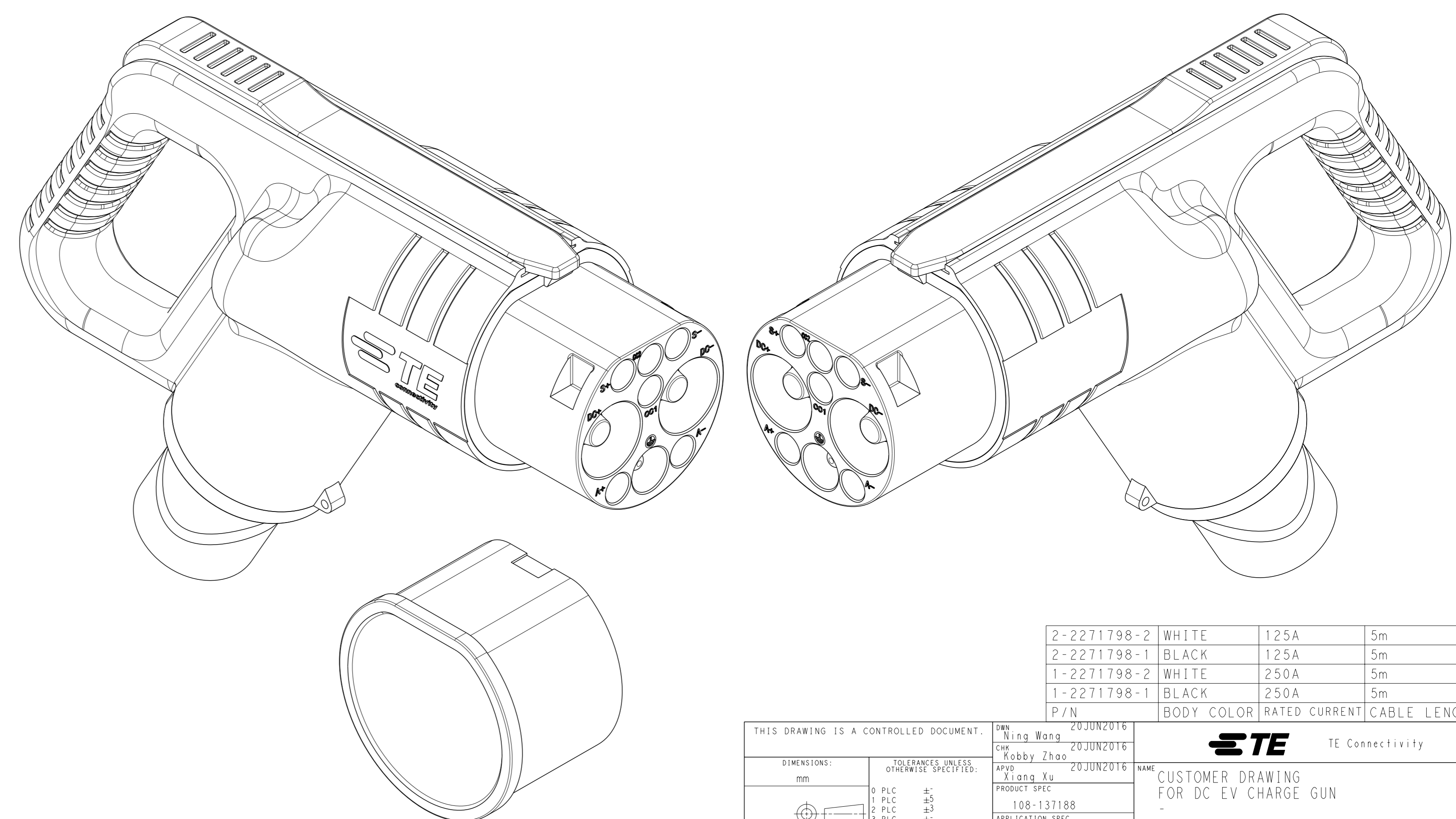
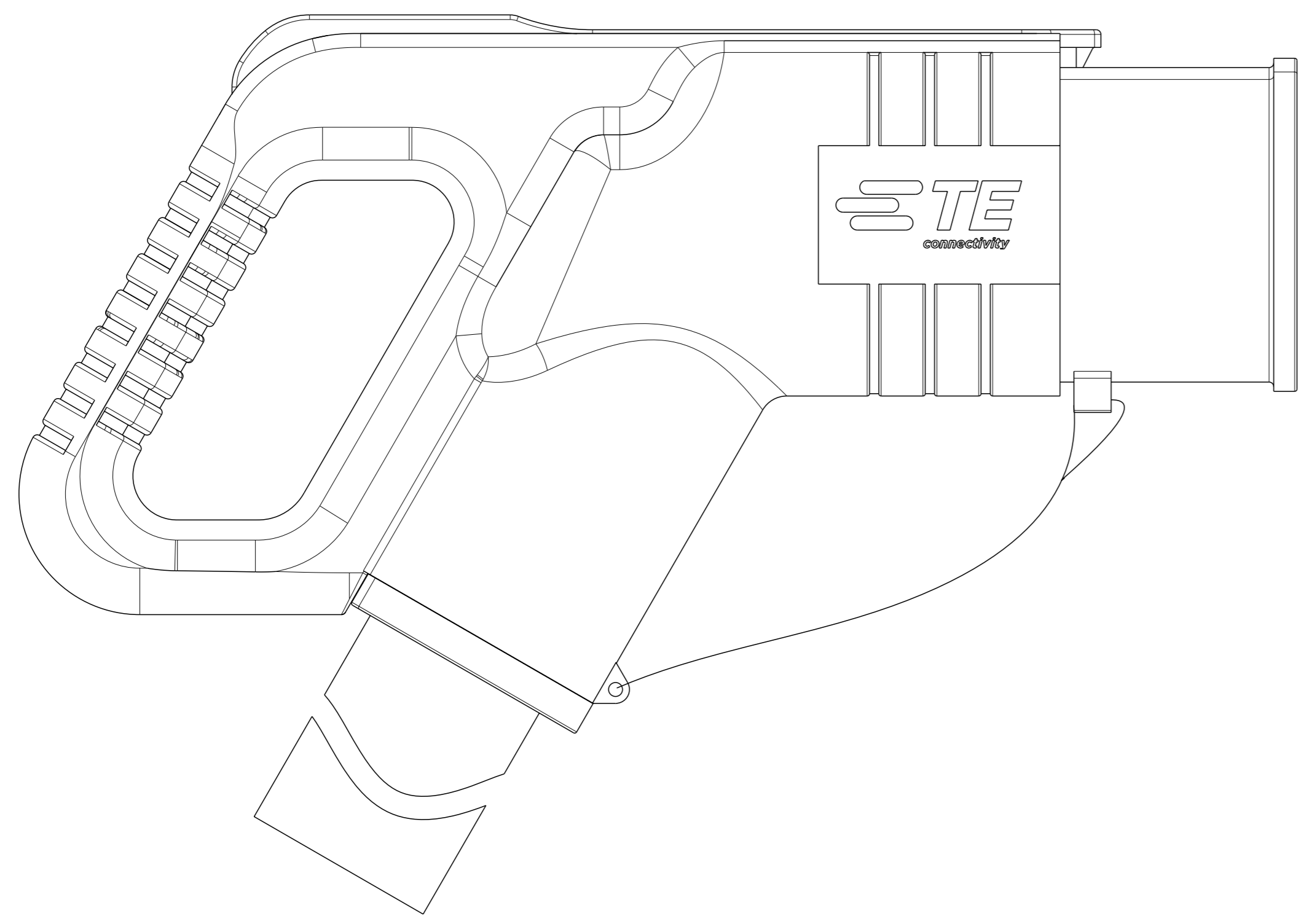


REVISIONS				
P	LT#	DESCRIPTION	DATE	OWN APVD
A1		CABLE 增加屏蔽线及变更CABLE MARK	16 JAN 2017	N, W, X, Y



EV CHARGE GUN W/O DUST CAP

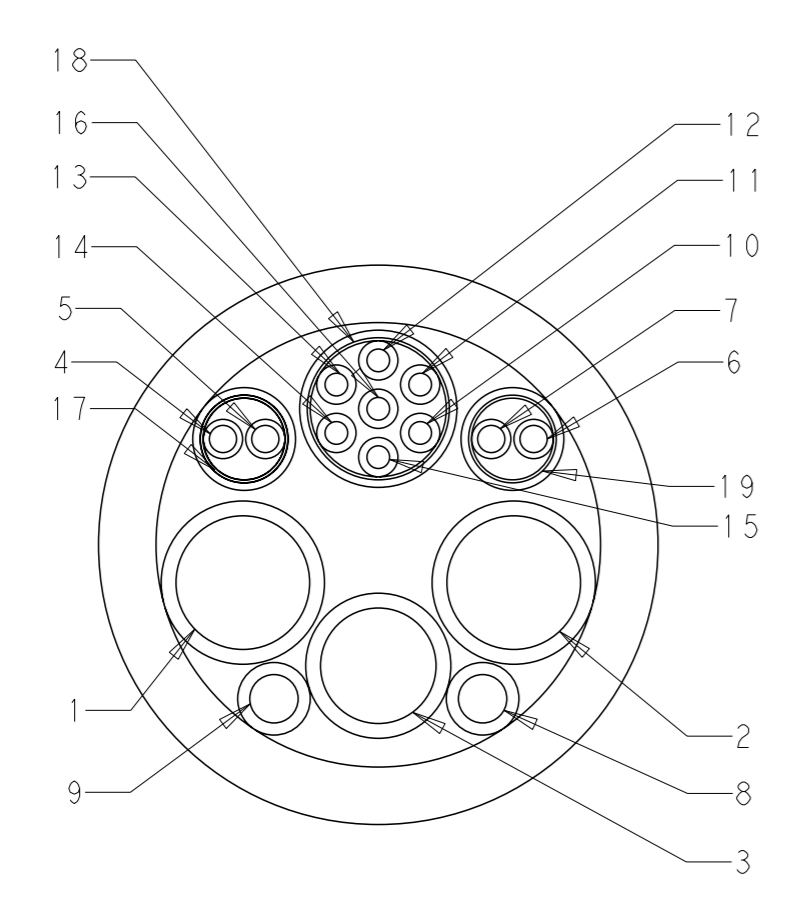


WITH DUST CAP

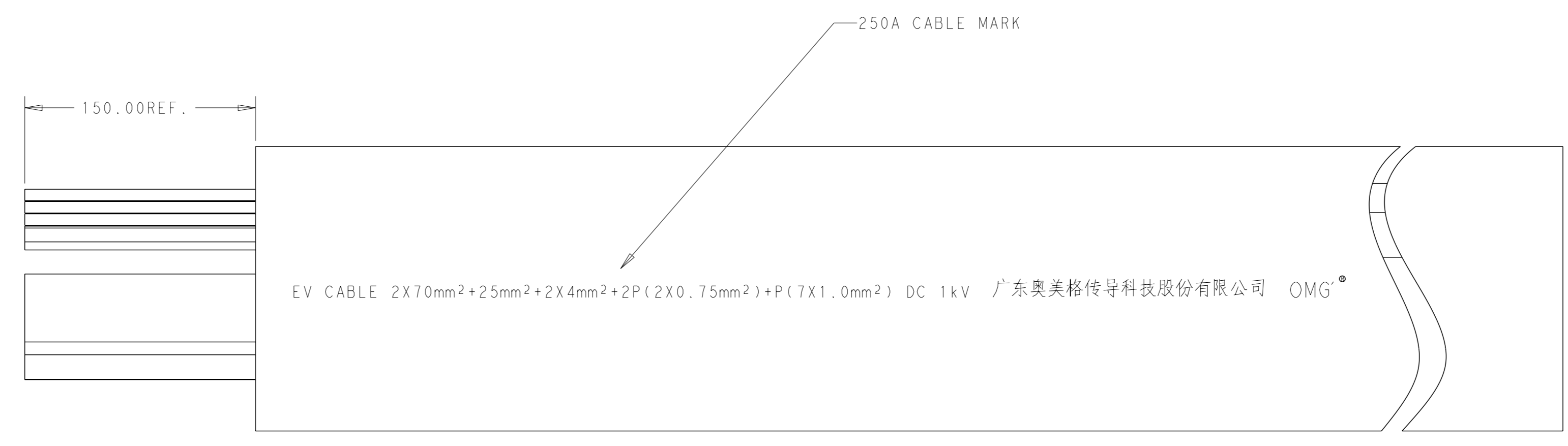
P/N	BODY COLOR	RATED CURRENT	CABLE LENGTH
2-2271798-2	WHITE	125A	5m
2-2271798-1	BLACK	125A	5m
1-2271798-2	WHITE	250A	5m
1-2271798-1	BLACK	250A	5m

THIS DRAWING IS A CONTROLLED DOCUMENT.		OWN: Ning Wang 20JUN2016	TE Connectivity <b>CUSTOMER DRAWING FOR DC EV CHARGE GUN</b>
DIMENSIONS: mm		CHK: Robby Zhao 20JUN2016	
TOLERANCES UNLESS OTHERWISE SPECIFIED:		APVD: Xiang Xu 20JUN2016	NAME: CUSTOMER DRAWING FOR DC EV CHARGE GUN
0 PLC	±	PRODUCT SPEC	SIZE: A1
1 PLC	±5	108-137188	CAGE CODE: -
2 PLC	±3	APPLICATION SPEC	DRAWING NO: C=2271798
3 PLC	±	RESTRICTED TO	SCALE: 1:1
4 PLC	±	WEIGHT: -	SHEET: 1 OF 2
ANGLES	*	CUSTOMER DRAWING	REV: A1

REVISIONS				
#	DATE	DESCRIPTION	DATE	APPV



RAW CABLE / 线截面示意图

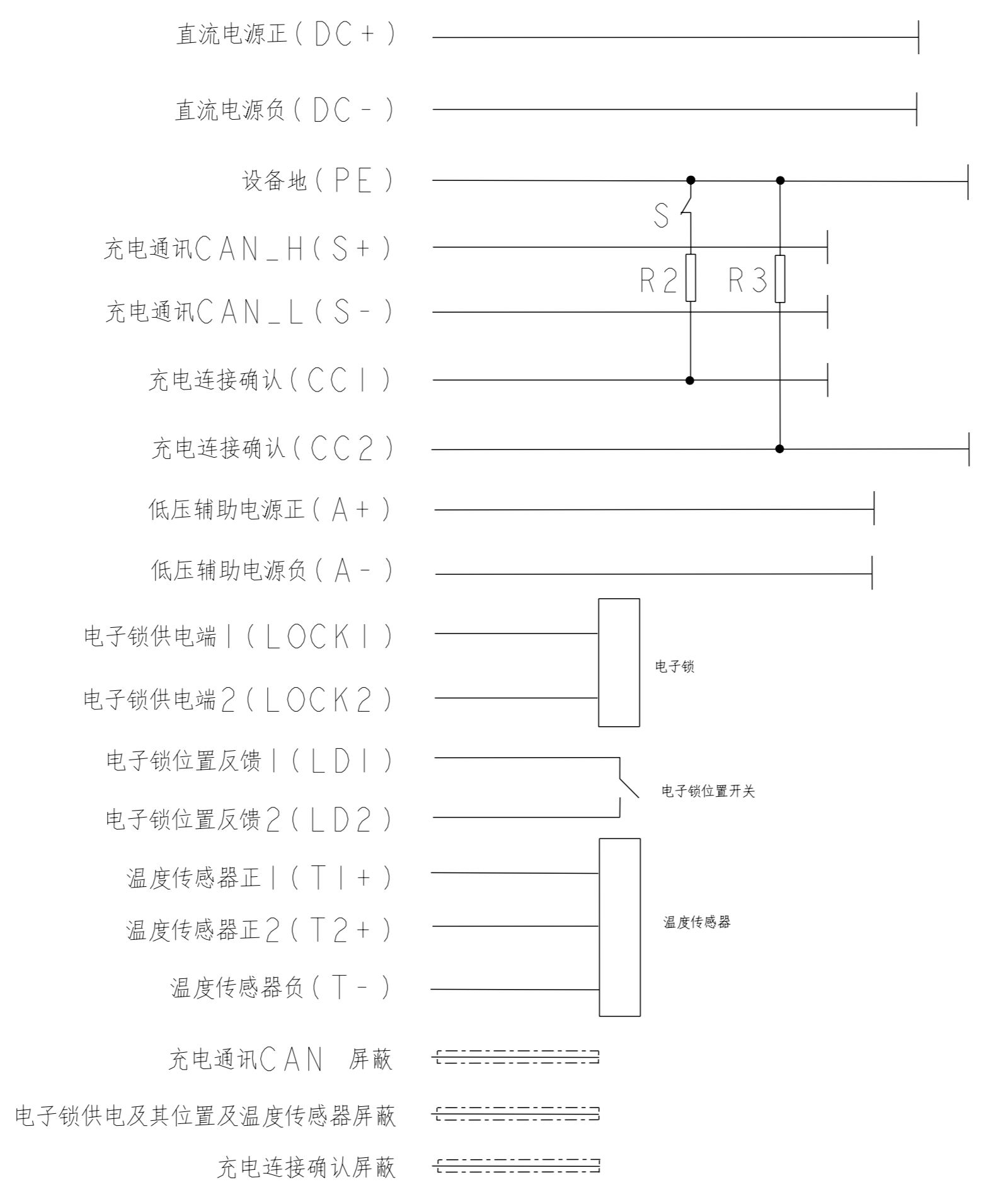


NOTE: 125A CABLE MARK IS ONLY CHANGED FROM 250A'S 70mm² TO 35mm².

CABLE END

CABLE

ITEM	功能 / FUNCTION	颜色 / COLOR
1	直流电源正 (DC+)	红色 / RED
2	直流电源负 (DC-)	黑色 / BLACK
3	设备地 (PE)	黄绿色 / YELLOW/GREEN
4	充电通讯CAN_H (S+)	白色 / WHITE
5	充电通讯CAN_L (S-)	绿色 / GREEN
6	充电连接确认 (CC1)	灰色 / GRAY
7	充电连接确认 (CC2)	蓝色 / BLUE
8	低压辅助电源正 (A+)	红色 / RED
9	低压辅助电源负 (A-)	黑色 / BLACK
10	电子锁供电端1 (LOCK1)	红色 / RED
11	电子锁供电端2 (LOCK2)	黑色 / BLACK
12	电子锁位置反馈1 (LD1)	棕色 / BROWN
13	电子锁位置反馈2 (LD2)	白色 / WHITE
14	温度传感器正1 (T1+)	黄色 / YELLOW
15	温度传感器正2 (T2+)	蓝色 / BLUE
16	温度传感器负 (T-)	绿色 / GREEN
17	充电通讯CAN 屏蔽	黑色 / BLACK
18	电子锁供电及其位置及温度传感器屏蔽	黑色 / BLACK
19	充电连接确认屏蔽	黑色 / BLACK

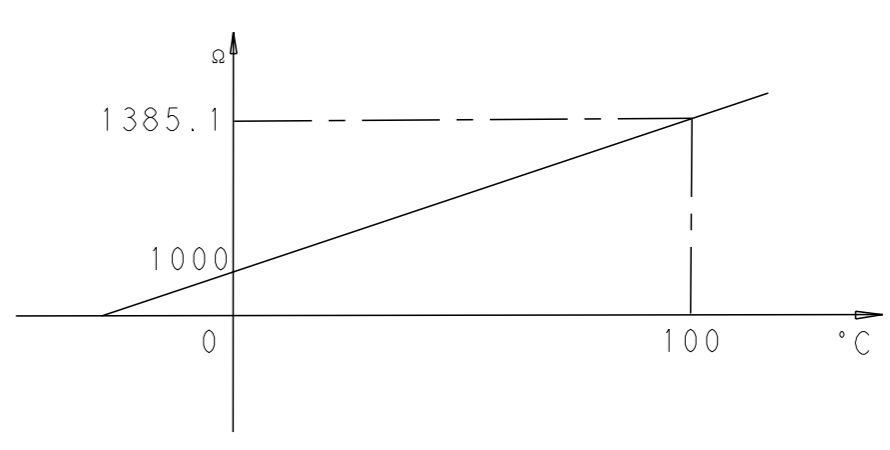


充电枪电气示意图

NOTES (备注)

- RATED VOLTAGE: 750VDC, 额定电压: 750VDC
- RATED CURRENT: 125A, 250A. 额定电流: 125A, 250A
- OPERATING TEMPERATURE: -30°C~50°C, 操作温度: -30°C~50°C
- PROTECTED DEGREE: IP55 (MATED WITH REC. SIDE) 防护等级: IP55 (公母配合)
- DIELECTRIC WITHSTANDING VOLTAGE: 3000V AC FOR 1 MIN. 耐压 3000V AC 一分钟
- DURABILITY: 10000 CYCLES 寿命: 10000次
- MATING&UNMATING FORCE: 140N Max. 插拔力: 140N Max.
- PERFORMANCE MEET GB/T 20234.1-2015. 产品性能符合GB/T20234.1-2015要求
- BIDIRECTIONAL SELF HOLDING ELECTTROMAGNET RATED VOLTAGE: 12VDC 自保持式电磁铁工作电压: 12VDC
- TEMPERATURE SENSOR CHARACTERITICS 温度传感器特性如下

描述	0°阻值	100°时阻值
温度传感器型号	1000Ω	1385.1Ω



THIS DRAWING IS A CONTROLLED DOCUMENT.		OWN: Ning Wang 20JUN2016	 TE Connectivity
DIMENSIONS: mm		CHK: Kobby Zhao 20JUN2016	
TOLERANCES UNLESS OTHERWISE SPECIFIED:		APV: Xiang Xu 20JUN2016	NAME: CUSTOMER DRAWING FOR DC EV CHARGE GUN
MATERIAL: TBD		FINISH: -	SIZE: A1
WEIGHT: -		SCALE: 1:1	SHEET 2 OF 2
CUSTOMER DRAWING		REV: A1	RESTRICTED TO