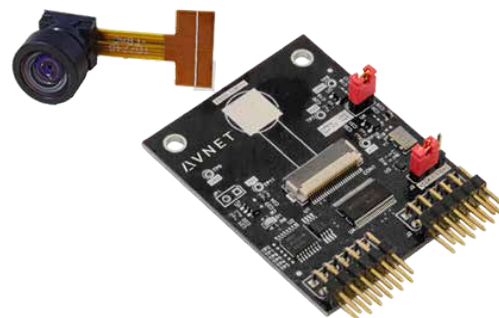


TD next TDM114 Camera Kit

AVNET[®] SILICA

The TD next TDM114 camera kit allows the low cost production ready TDM114 camera module to be populated on Avnet's PMOD enabled Xilinx development kits. The camera kit features ON Semiconductor's MT9M114 color image sensor. The MT9M114 from ON Semiconductor is a 1/6-inch 1.26 Mp CMOS digital image sensor with an active-pixel array of 1296 (H) × 976 (V). It includes sophisticated camera functions such as auto exposure control, auto white balance, black level control, flicker avoidance, and defect correction. Designed for low light performance, the MT9M114 produces extraordinarily clear, sharp digital pictures.



FEATURES

- TD next dual PMOD adapter
- TDM114 camera module, including:
 - ON Semiconductor 1/6" MT9M114 color image sensor
 - 720P30 resolution (1296 x 976 @ 30fps)
 - HFOV 90°
 - Focal length from 1.8 mm to 2.3 mm
 - IR cut filter for daylight illumination

TARGET APPLICATIONS

- Security and Surveillance
- Scanning
- Drones and Robot Vision
- Medical Imaging
- Wearables
- Automotive

KIT INCLUDES

- Quick Start Guide
- Hardware
- TD next dual PMOD adapter
- TD next TDM114 camera module
- Downloadable documentation

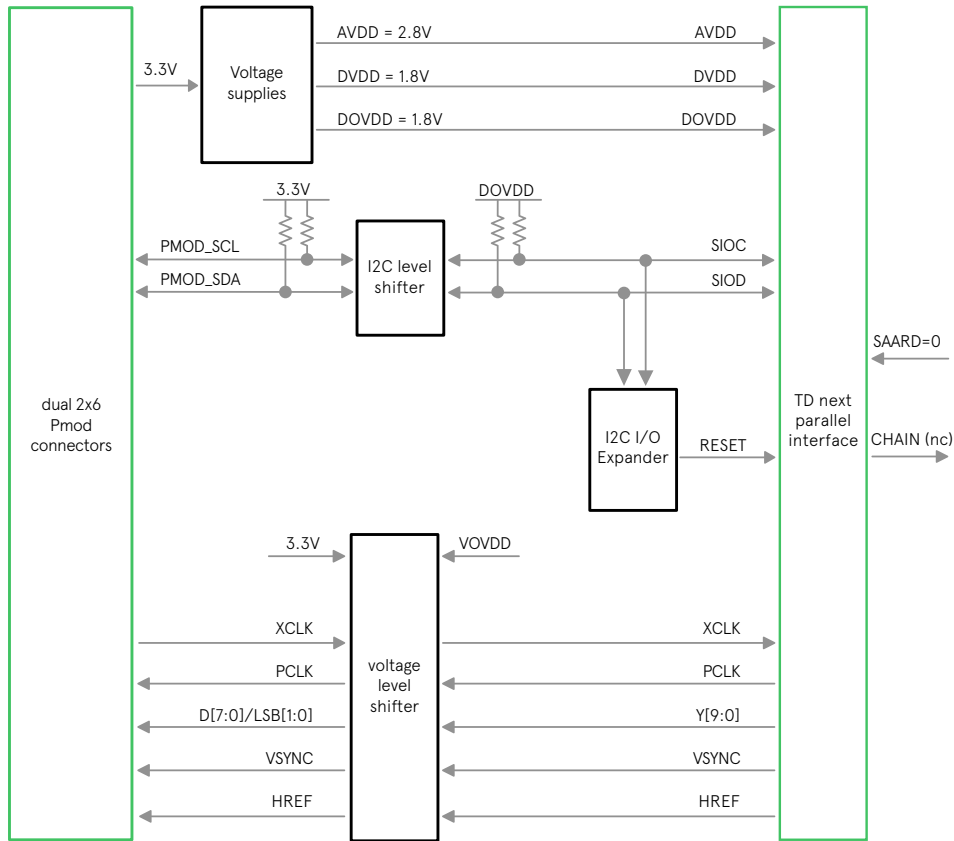
COMPATIBILITY

/MICROZED

/ZEDBOARD

/PICOZED

BLOCK DIAGRAM



FEATURED MANUFACTURERS



PARTS

Part Number	Description
AES-PMOD-TDM114-G	TD next TDM114 Camera Kit

Pricing: See online catalog avnet-silica.com

CONTACT INFORMATION

AUSTRIA
Vienna: wien@avnet.eu

BELGIUM
Merebeke: gent@avnet.eu

CZECH REPUBLIC (SLOVAKIA)
Prague: praha@avnet.eu

DENMARK
Herlev: herlev@avnet.eu

ESTONIA (LATVIA, LITHUANIA)
Pärnu: paernu@avnet.eu

FINLAND
Espoo: helsinki@avnet.eu

FRANCE (TUNISIA)
Cesson Sévigné: rennes@avnet.eu
Illkirch: strasbourg@avnet.eu
Massy Cedex: paris@avnet.eu
Toulouse: toulouse@avnet.eu
Vénissieux Cedex: lyon@avnet.eu

GERMANY
Berlin: berlin@avnet.eu
Freiburg: freiburg@avnet.eu
Hamburg: hamburg@avnet.eu
Holzwickede: holzwickede@avnet.eu
Lehrte: hannover@avnet.eu
Leinfelden-Echterdingen: stuttgart@avnet.eu
Leipzig: leipzig@avnet.eu
Nürnberg: nuernberg@avnet.eu
Poing: muenchen@avnet.eu
Wiesbaden: wiesbaden@avnet.eu

HUNGARY
Budapest: budapest@avnet.eu

ITALY
Cusano Milanino: milano@avnet.eu
Firenze: firenze@avnet.eu
Modena: modena@avnet.eu
Padova: padova@avnet.eu
Rivoli: torino@avnet.eu
Roma Tecnocittà: roma@avnet.eu

NETHERLANDS
Breda: breda@avnet.eu

NORWAY
Asker: asker@avnet.eu

POLAND
Gdansk: gdansk@avnet.eu
Katowice: katowice@avnet.eu
Warszawa: warszawa@avnet.eu

PORTUGAL
Vila Nova de Gaia: porto@avnet.eu

ROMANIA (BULGARIA)
Bucharest: bucesti@avnet.eu

RUSSIA (BELARUS, UKRAINE)
Moscow: moscow@avnet.eu
Saint Petersburg: stpetersburg@avnet.eu

SLOVENIA (BOSNIA AND HERZEGOVINA, CROATIA, MACEDONIA, MONTENEGRO, SERBIA)
Ljubljana: ljubljana@avnet.eu

SPAIN
Barcelona: barcelona@avnet.eu
Galdácano: Vizcaya: bilbao@avnet.eu
Las Matas: madrid@avnet.eu

SWEDEN
Sundbyberg: stockholm@avnet.eu

SWITZERLAND
Rothrist: rothrist@avnet.eu

TURKEY (GREECE, EGYPT)
Kadikoy Istanbul: istanbul@avnet.eu

UNITED KINGDOM (IRELAND)
Berkshire: maidenhead@avnet.eu
Bolton: bolton@avnet.eu
Bucks, Aylesbury: aylesbury@avnet.eu
Stevenage, Herts, Meadway: stevenage@avnet.eu



All trademarks and logos are the property of their respective owners. This document provides a brief overview only, no binding offers are intended. No guarantee as to the accuracy or completeness of any information. All information is subject to change, modifications and amendments without notice.