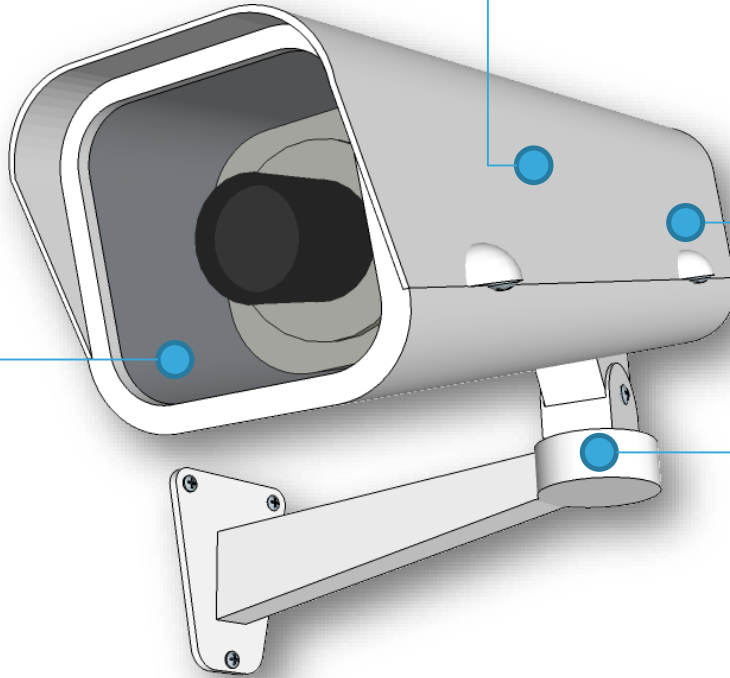


Analog products for CCTV cameras

Speaker amplifier for smart functions, such as alert or security advise
3W filter-free class D audio power amplifier
TS4962MEIJT [www](#)

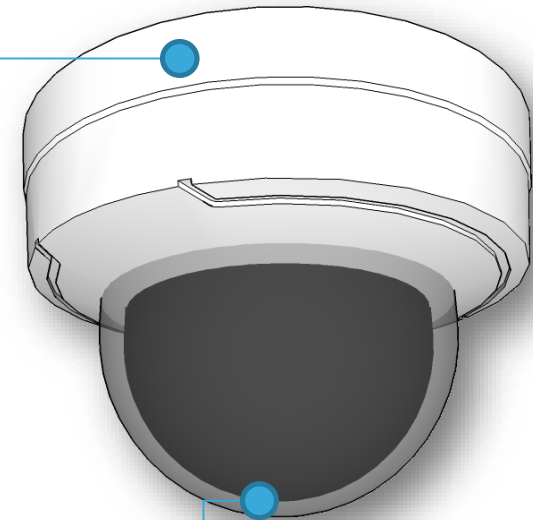


High accuracy signal conditioning
Precision amplifier
TSZ121 [www](#) **TSV731** [www](#)

Motor current measurement for camera angle change
Current sense amplifier: **TSC103** [www](#)
16V precision amplifier: **TSX711ILT** [www](#)

Sleep mode management
Nano power amplifiers and comparators:
TSU101 [www](#) **TS881** [www](#)

Battery monitoring
Gas gauge
STC3115 [www](#)
STC3117 [www](#)



Bug recovery
Smart reset **STM6520**
[www](#)

Power products for CCTV cameras

LED Drivers for Night Vision

LED Array Drivers

LED7707 [www](#)

LED2000 [www](#) / **LED5000** [www](#)

STCS1 / STCS2 [www](#)

General Purpose Supply

Cost Effective LDO:

LDK320 [www](#)

LDK220 [www](#)

LDL212 [www](#)

Timers

Low Power Real time Clock

M41T62 [www](#) **M41T00S** [www](#)

High efficiency DCDC

18V 3A Buck Converter: **ST1S40** [www](#)

18V 1A Buck Converter: **L5981** [www](#)

Sensor and RF Supply

Low Noise and High PSRR LDOs:

LDLN025 [www](#)

LD39030 [www](#)

LD39100 [www](#)

Battery Chargers

Gas gauge

STBC02/03 [www](#)

L6924 [www](#)

Sleep Mode Supply

Low Quiescent LDOs:

STLQ020 [www](#)

ST715 [www](#)

Low Power DCDC

5V 0.7A Buck Converter **ST1S12** [www](#)

5V 2A Buck Converter **ST1S09** [www](#)