

FEATURES:

- Input: 90-528VAC, 47-63Hz or 100-745VDC
- Operating temperature -40°C to +85°C
- Low power consumption $\leq 0.5W$ at 528VAC
- Continuous short circuit protection
- I/O Isolation 4000VAC
- Compact open frame SIP
- Over current protection
- Class II power supply

Models
Single output



Model	Input Voltage (VAC/Hz)	Input Voltage (VDC)	Full power temperature range (°C)	Output Voltage (V)	Output Current max (mA)	Maximum capacitive load (μ F)	Efficiency at 230VAC (%)
AMEOF5-3.3SBJZ	90-528/47-63	100-745	-20 to +55	3.3	850	2200	63
AMEOF5-5SBJZ	90-528/47-63	100-745	-20 to +55	5	850	1500	67
AMEOF5-9SBJZ	90-528/47-63	100-745	-20 to +55	9	560	680	70
AMEOF5-12SBJZ	90-528/47-63	100-745	-20 to +55	12	420	470	76
AMEOF5-15SBJZ	90-528/47-63	100-745	-20 to +55	15	340	330	76
AMEOF5-24SBJZ	90-528/47-63	100-745	-20 to +55	24	210	100	76
AMEOF5-3.3SLBJZ	90-528/47-63	100-745	-20 to +55	3.3	850	2200	63
AMEOF5-5SLBJZ	90-528/47-63	100-745	-20 to +55	5	850	1500	67
AMEOF5-9SLBJZ	90-528/47-63	100-745	-20 to +55	9	560	680	70
AMEOF5-12SLBJZ	90-528/47-63	100-745	-20 to +55	12	420	470	76
AMEOF5-15SLBJZ	90-528/47-63	100-745	-20 to +55	15	340	330	76
AMEOF5-24SLBJZ	90-528/47-63	100-745	-20 to +55	24	210	100	76

NOTE: All specifications in this datasheet are measured at an ambient temperature of 25°C, humidity<75%, nominal input voltage and at rated output load unless otherwise specified.

Input Specifications

Parameters	Conditions	Typical	Maximum	Units
Current	115VAC		200	mA
	230VAC		100	mA
	480VAC		70	mA
Inrush current <2ms	115VAC	10		A
	230VAC	17		A
	480VAC	28		A
External fuse	Recommended slow blow type	2		A
Input dissipation	No Load, 230VAC		0.3	W
	No Load, 528VAC		0.5	
Leakage current	230VAC/50Hz	0.25		mA

Output Specifications

Parameters	Conditions	Typical	Maximum	Units
Voltage accuracy	Full load, 3.3V output	± 6		%
	Full load, others	± 5		
Line regulation	Full load, 3.3V output	± 2.5		%
	Full load, others	± 1.5		
Load regulation	10% - 100% load	± 2.5		%
Ripple & Noise	20MHz Bandwidth		180	mV p-p
Hold up time	230VAC	35		ms
	400VAC	100		

Isolation Specifications

Parameters	Conditions	Typical	Rated	Units
Tested I/O voltage	60 sec		4000	VAC
Isolation Resistance		>1000		M Ω

General Specifications

Parameters	Conditions	Typical	Maximum	Units
Switching frequency		70		KHz
Over current protection	Auto-recovery	120-400		% of I out
Short circuit protection		Hiccup, Continuous		
Short circuit restart		Auto-recovery		
Operating temperature	See derating curve	-40 to +85		°C
Storage temperature		-40 to +105		°C
Temperature coefficient		±0.15		% / °C
Cooling		Free air convection		
Humidity			85	% RH
Weight		7.5		g
Dimensions (L x H x W)		1.75 x 0.94 x 0.51 inches	44.5 x 24 x 13 mm	
MTBF		>300,000 hours (MIL-HDBK -217F, Ground Benign, t=+25°C)		

Safety Specifications

Parameters	Standards
	IEC/EN/UL62368 pending approval
	CISPR32/EN55032/FCC part 15, Class A & B, with external filter circuits, as referenced
	IEC 61000-4-2, Contact ±4KV, Criteria B
	IEC 61000-4-3, 10V/m, Criteria A, with Class B external filter, as referenced
	IEC 61000-4-4, ±2KV/±4KV, Criteria B, with Class A/B external filter referenced
	IEC 61000-4-5, ±1KV/±2KV, Criteria B, with Class A/B external filter referenced
	IEC 61000-4-6, 3Vrms, Criteria A, with Class B external filter, as referenced
	IEC 61000-4-11, 0-70%, Criteria B, with Class B external filter, as referenced

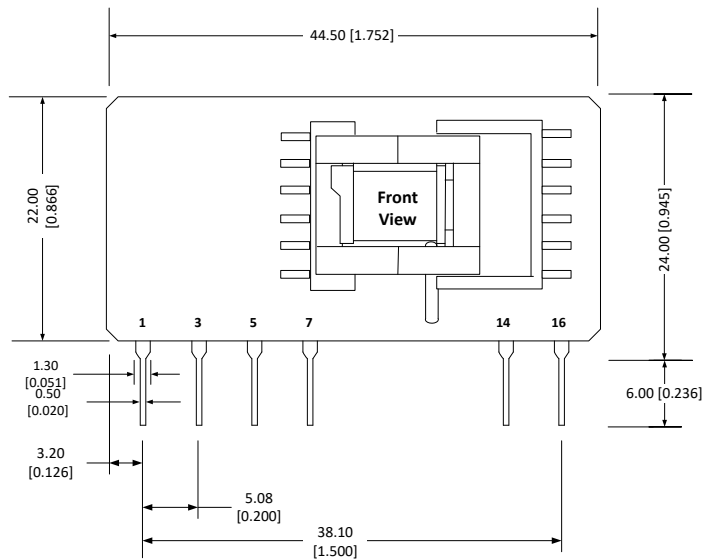
Pin Out Specifications*

Pin	Single
1	AC N
3	AC L
5	+V sc
7	-V sc
14	-V Output
16	+V Output

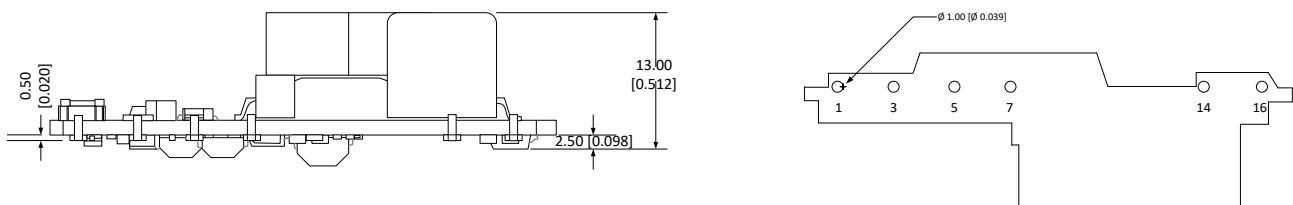
* Add C1, C2, C6, C7, R1 and R2 between pin 5 & 7.

**Add pi-filter to the output as suggested in the Application circuit below.

Dimensions

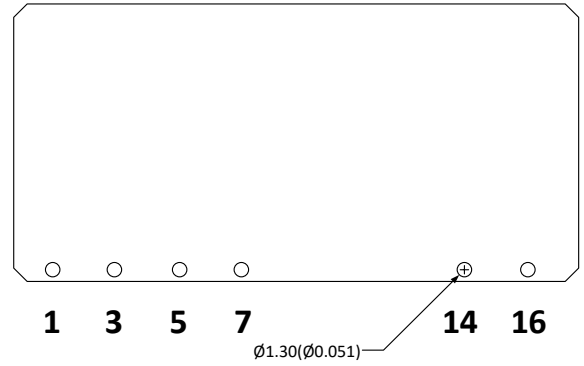
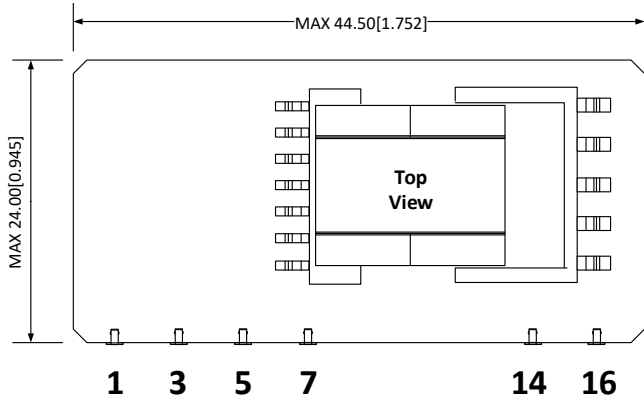


Bottom View

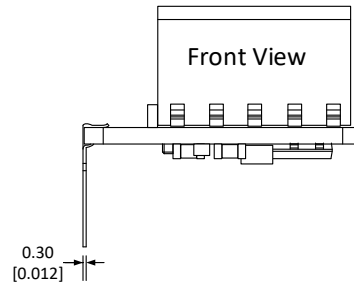
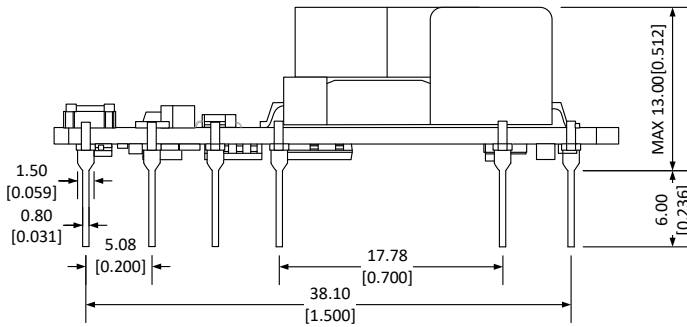


Note:
Unit: mm [inch]
Pin section tolerances: ± 0.10 [± 0.004]
General tolerances: ± 0.50 [± 0.020]

L Models Dimensions



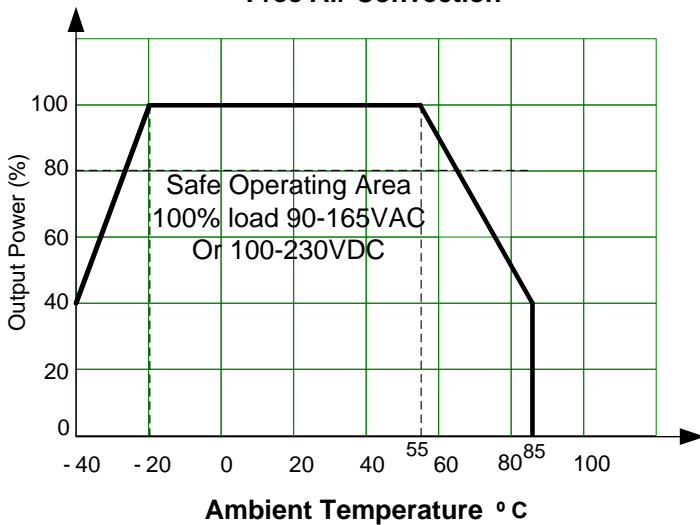
Side View



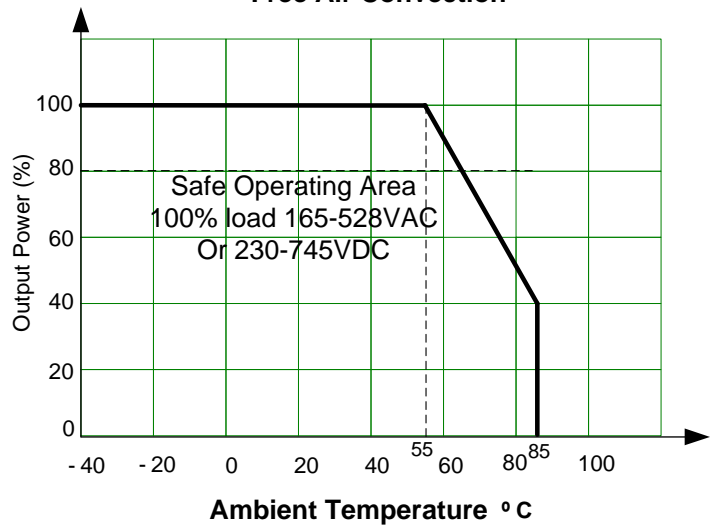
Note:
Unit: mm [inch]
Pin section tolerances: $\pm 0.10 [\pm 0.004]$
General tolerances: $\pm 0.50 [\pm 0.020]$

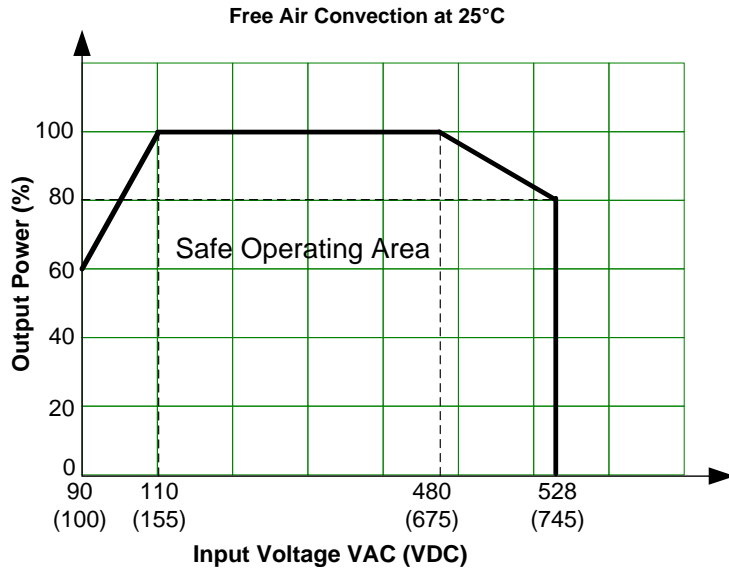
Derating*

Free Air Convection

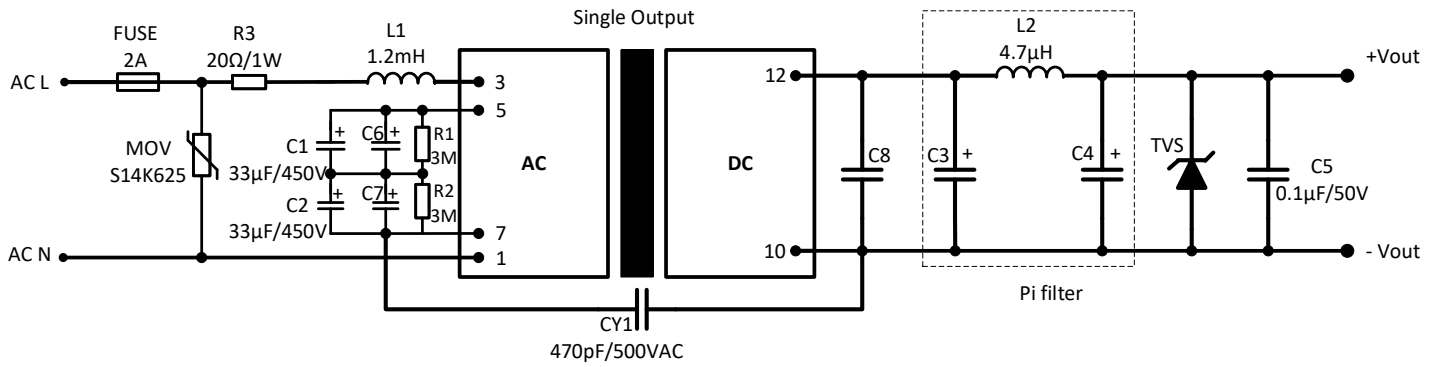


Free Air Convection

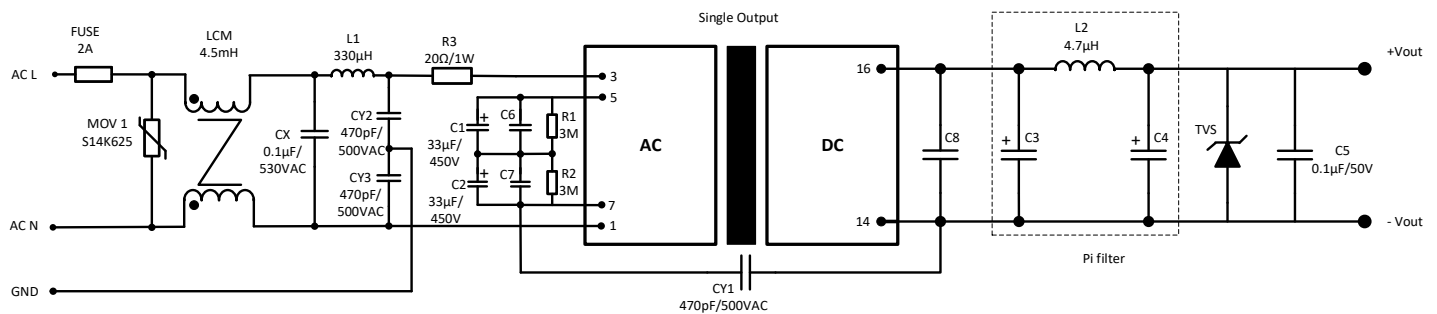




Recommended EMC class A external circuit:



Recommended EMC class B external circuit:



Model	C6/C7	C8	C3	C4	TVS
3.3 Vout			470µF/16V (Solid Capacitor)	470µF/ 35V	7V
5 Vout					12V
9 Vout					
12 Vout			270µF/16V (Solid Capacitor)	220µF/ 16V	20V
15 Vout	0.068µF/630V	10uF/25V	1000µF/35V	330µF/ 35V	
24 Vout			470µF/35V	470µF/ 35V	30V

Notes:

① For Safety compliance, we recommend minimum PCB trace distance of 3mm, minimum distance between PCB traces of 6mm, primary to secondary circuit traces distance between minimum of 10mm.

② Operation voltage of the balancing resistors R1 and R2 should be over 450V.

NOTE: 1. Datasheets are updated as needed and as such, specifications are subject to change without notice. Once printed or downloaded, datasheets are no longer controlled by Aimtec; refer to www.aimtec.com for the most current product specifications. **2.** Product labels shown, including safety agency certifications on labels, may vary based on the date manufactured. **3.** Mechanical drawings and specifications are for reference only. **4.** All specifications are measured at an ambient temperature of 25°C, humidity<75%, nominal input voltage and at rated output load unless otherwise specified. **5.** Aimtec may not have conducted destructive testing or chemical analysis on all internal components and chemicals at the time of publishing this document. CAS numbers and other limited information are considered proprietary and may not be available for release. **6.** This product is not designed for use in critical life support systems, equipment used in hazardous environments, nuclear control systems or other such applications which necessitate specific safety and regulatory standards other the ones listed in this datasheet. **7.** Warranty is in accordance with Aimtec's standard Terms of Sale available at www.aimtec.com.