



Series 229

Push Button Switch (Key Switch)

- Surface Mount Technology (SMT)
- Compatible with lead-free soldering processes
- Durable with options for extended operating life
- DPST, SPST and SPST w/LED configurations
- Options for actuation force
- REACH & RoHS compliant
- Available with IP67 rating for harsh environment use



Description

The series 229 push button switch from CTS Corporation is a durable and dependable means of manual circuit control. Also known as a ‘key switch’, the series 229 push button switch provides excellent tactile feel featuring three different actuation forces, and can be configured as either SPST and DPST. It comes with options for LED illumination, and as a SMT device, it can be soldered directly onto a PCB. Thanks to a robust internal structure and an optional IP67 rating, the series 229 will operate seamlessly even in harsh and humid environments, industrial or otherwise. Ideal applications for this push button switch include:

- Multi-function handgrip or joysticks in open or closed cab work vehicles
- Handheld remote controllers for robotics & unmanned vehicles
- Portable medical electronics such as defibrillators
- Bellybox transmitters (remote control transmitter)
- Marine & motorcycles
- Scooters & off-road vehicles

Ordering Information

Series	Style	Circuit	Contacts	Operation Force	LED Color																																														
229	A	S	1	03	W																																														
<table border="1"> <thead> <tr> <th>Code</th> <th>Style</th> </tr> </thead> <tbody> <tr><td>A</td><td>Unsealed Flat Base</td></tr> <tr><td>AP</td><td>Unsealed w/Posts</td></tr> <tr><td>AC</td><td>Unsealed w/Central Post Only</td></tr> <tr><td>S</td><td>Sealed Flat Base</td></tr> <tr><td>SP</td><td>Sealed w/Posts</td></tr> <tr><td>SC</td><td>Sealed w/Central Post Only</td></tr> </tbody> </table>		Code	Style	A	Unsealed Flat Base	AP	Unsealed w/Posts	AC	Unsealed w/Central Post Only	S	Sealed Flat Base	SP	Sealed w/Posts	SC	Sealed w/Central Post Only	<table border="1"> <thead> <tr> <th>Code</th> <th>Contacts</th> </tr> </thead> <tbody> <tr><td>1</td><td>Normally Open</td></tr> <tr><td>2</td><td>Normally Close</td></tr> </tbody> </table>		Code	Contacts	1	Normally Open	2	Normally Close	<table border="1"> <thead> <tr> <th>Code</th> <th>Operation Force</th> </tr> </thead> <tbody> <tr><td>03</td><td>3N (no tactile)</td></tr> <tr><td>06</td><td>6N</td></tr> <tr><td>10</td><td>10N</td></tr> </tbody> </table>		Code	Operation Force	03	3N (no tactile)	06	6N	10	10N	<table border="1"> <thead> <tr> <th>Code</th> <th>LED Color</th> </tr> </thead> <tbody> <tr><td>Blank</td><td>no LED</td></tr> <tr><td>R</td><td>Red</td></tr> <tr><td>G</td><td>Green</td></tr> <tr><td>B</td><td>Blue</td></tr> <tr><td>Y</td><td>Yellow</td></tr> <tr><td>W</td><td>White</td></tr> <tr><td>O</td><td>Orange</td></tr> </tbody> </table> <p>(only for SPST w/LED)</p>		Code	LED Color	Blank	no LED	R	Red	G	Green	B	Blue	Y	Yellow	W	White	O	Orange
Code	Style																																																		
A	Unsealed Flat Base																																																		
AP	Unsealed w/Posts																																																		
AC	Unsealed w/Central Post Only																																																		
S	Sealed Flat Base																																																		
SP	Sealed w/Posts																																																		
SC	Sealed w/Central Post Only																																																		
Code	Contacts																																																		
1	Normally Open																																																		
2	Normally Close																																																		
Code	Operation Force																																																		
03	3N (no tactile)																																																		
06	6N																																																		
10	10N																																																		
Code	LED Color																																																		
Blank	no LED																																																		
R	Red																																																		
G	Green																																																		
B	Blue																																																		
Y	Yellow																																																		
W	White																																																		
O	Orange																																																		
		<table border="1"> <thead> <tr> <th>Code</th> <th>Circuit</th> </tr> </thead> <tbody> <tr><td>S</td><td>SPST</td></tr> <tr><td>D</td><td>DPST</td></tr> <tr><td>L</td><td>SPST w/LED</td></tr> </tbody> </table>		Code	Circuit	S	SPST	D	DPST	L	SPST w/LED																																								
Code	Circuit																																																		
S	SPST																																																		
D	DPST																																																		
L	SPST w/LED																																																		

Electrical Specifications

Parameter	Conditions & Remarks	Min	Nominal	Max	Unit
Contact Resistance (Initial)				100	mΩ
Contact Resistance (After test)				200*	mΩ
Switching Voltage		2		30	V _{DC}
Switching Current		10		100	mA _{DC}
Insulation Resistance		1000			MΩ
Dielectric Strength		300			V _{rms}
Switch Bounce				10	ms

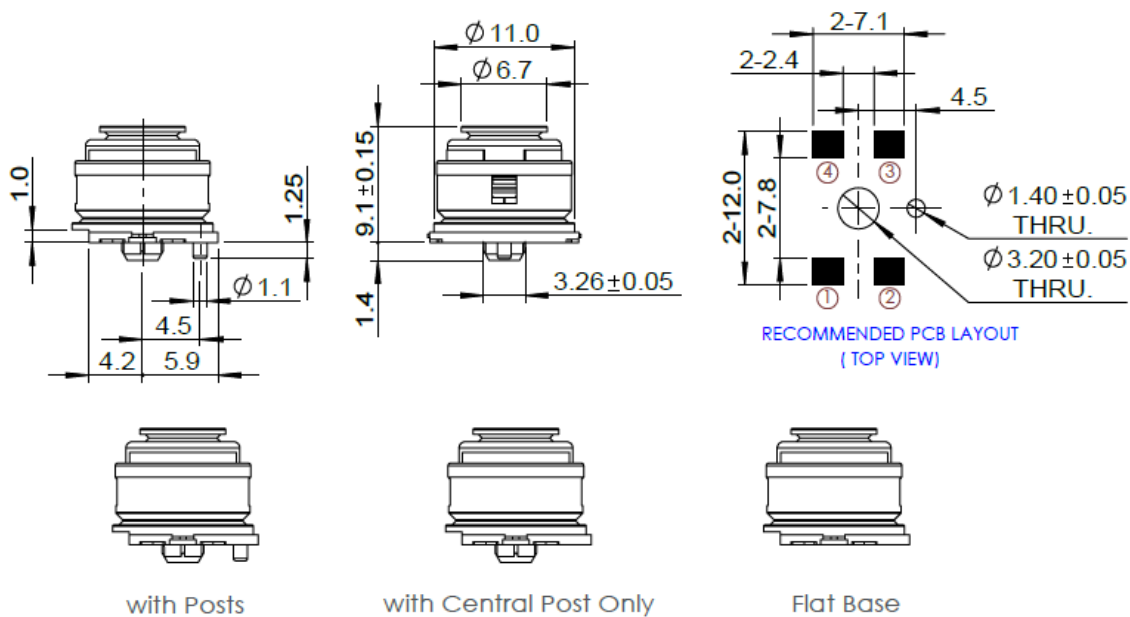
* Operating life: > 10⁶ operations (3N version) / 2x10⁵ operations (versions except 3N)

Mechanical and Environmental

Actuation Force	Operation Force: 3N (no tactile) Operation Force: 6N Operation Force: 10N
RoHS	Lead-Free. Fully compliant to RoHS Directive
Mechanical Shock	per MIL-STD-202, Method 213, Test Condition I
Vibration	10-500Hz (10G Peak), per MIL-STD-202, Method 204, Test Condition A
IP Rating	Unsealed: IP 40 Sealed: IP 67 (only after conformal coating operation)
Packaging	Reels of 200 Pieces
Operating Temperature:	-40°C to +85°C
Storage Temperature:	-40°C to +95°C
Coplanarity	< 0.1mm
Total Travel	1.5mm

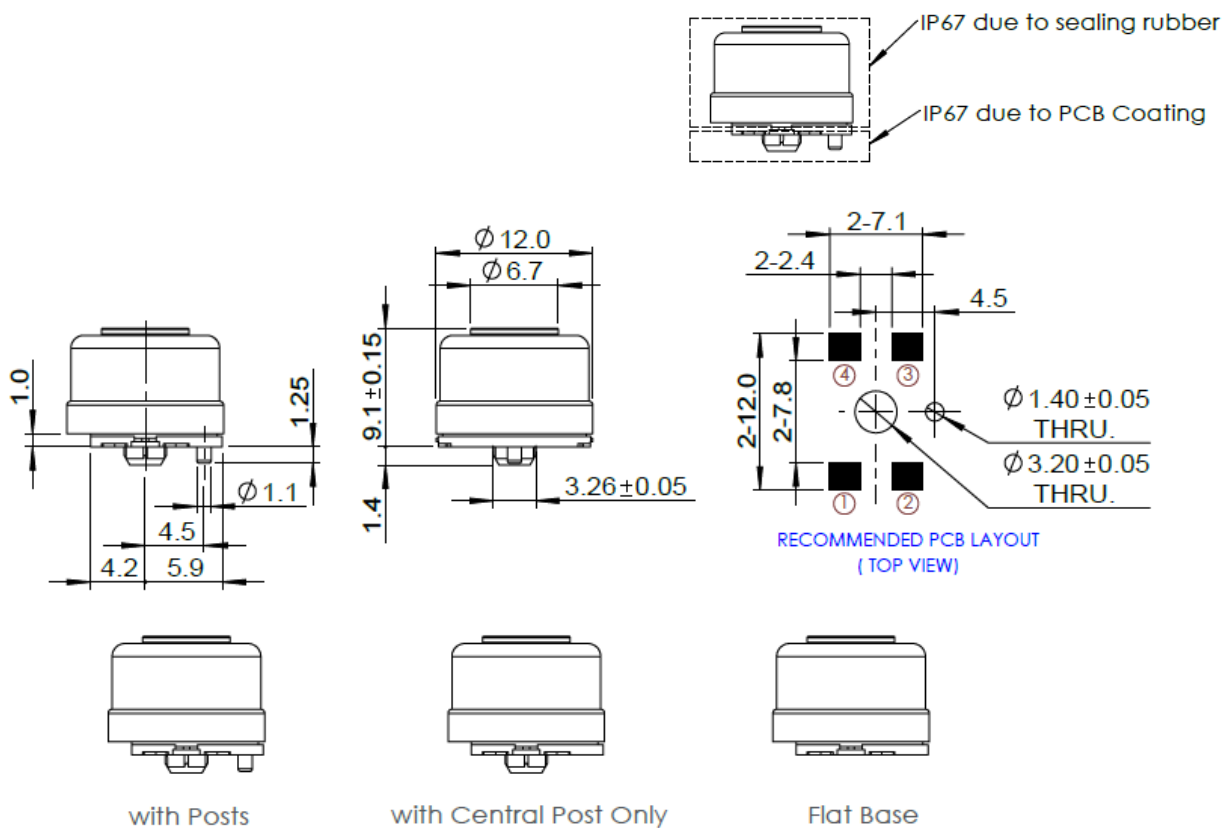
229A / 229AP / 229AC IP40

(Unit: mm)

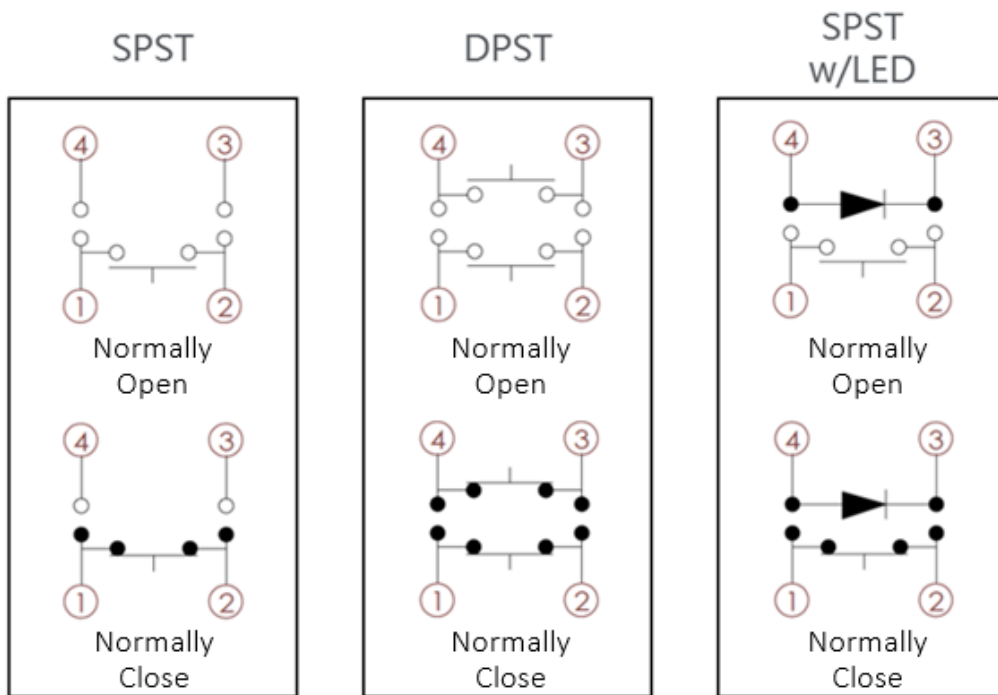


229S / 229SP / 229SC IP67

(Unit: mm)



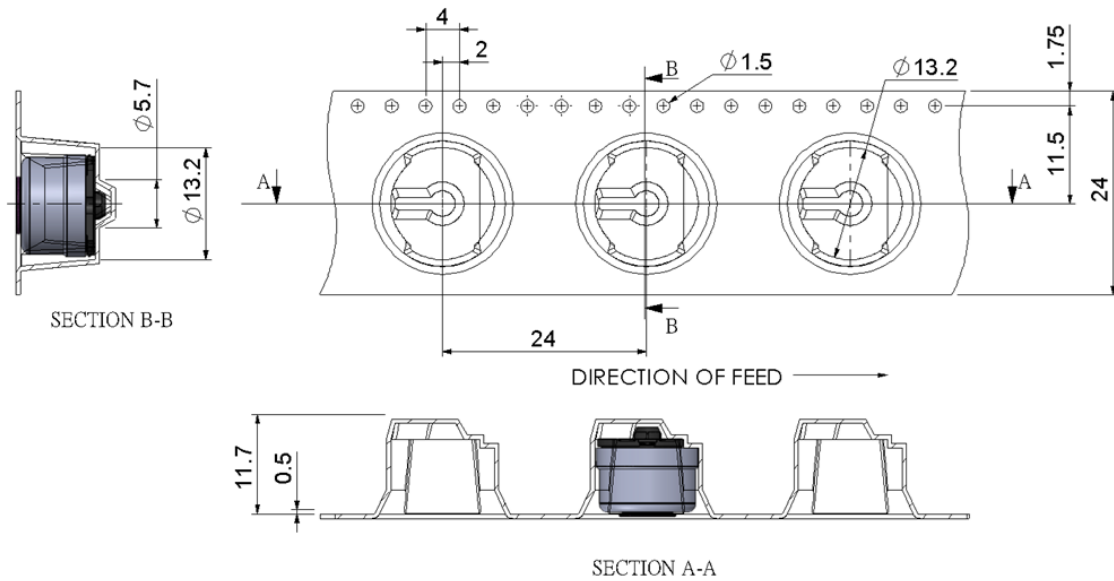
SPST / DPST



LED Characteristics (@T=25°C)

COLOR	WAVE LENGTH	LUMINOUS INTENSITY (mcd)	FORWARD VOLTAGE (V)	FORWARD CURRENT (mA)
RED	624nm	72 MIN., 110 TYP., I = 20mA	2.0 TYP., 2.4 MAX., I = 20mA	25 [50 MAX.]
GREEN	518nm	180 MIN., 360 MAX., I = 20mA	2.7 MIN., 3.7 MAX., I = 20mA	25 [50 MAX.]
BLUE	468nm	18 MIN., 45 MAX., I = 5mA	2.7 MIN., 3.2 TYP., I = 5mA	10 [40 MAX.]
YELLOW	585.9nm	45 MIN., 112 MAX., I = 20mA	1.75 MIN., 2.35 MAX., I = 5mA	25 [50 MAX.]
WHITE	CCT = 7046K	72 MIN., 180 MAX., I = 5mA	2.7 MIN., 3.15 MAX., I = 5mA	10 [40 MAX.]
ORANGE	611nm	90 MIN., 180 MAX., I = 20mA	1.75 MIN., 2.15 MAX., I = 20mA	25 [60 MAX.]

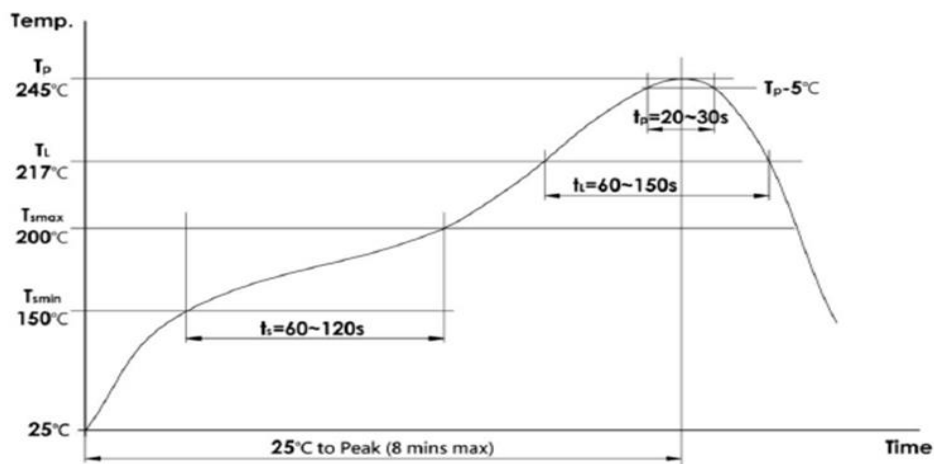
Tape and Reel Packaging



* Reels of 200 Pieces (Recommendation: Use a SMT placement machine with angle compensation.)

Reflow Soldering Profile

Refer to IPC/JEDEC J-STD-020E



	Symbol	Minimum	Recommended	Maximum	Unit
Ramp up rate to T_{Smin}			2	3	°C/s
Soak Time T_{Smin} to T_{Smax}	t_s	60	100	120	s
Ramp up rate T_{Smax} to T_P			2	3	°C/s
Liquidus Temperature	T_L		217		°C
Time above Liquidus	t_L		80	100	s
Peak Temperature	T_P	235	245		°C
Time within 5°C of T_P	t_p	20	N/A	30	s
Ramp down rate T_P to 100°C			3	6	°C/s
Time 25°C to T_P				480	s

Hand Soldering: Soldering iron temp 350°C for 5 seconds