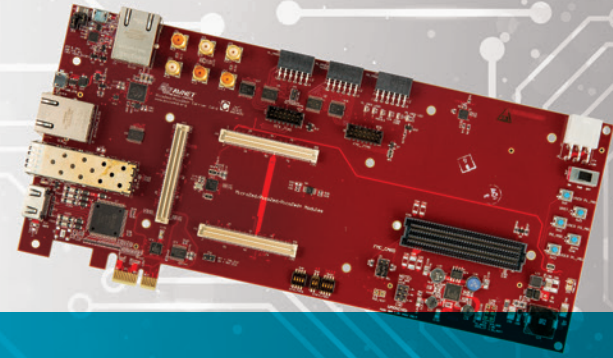


# PicoZed™ FMC Carrier Card



 Electronics Marketing

 Technology



The PicoZed™ FMC Carrier Card supports development of PicoZed-based designs with a platform containing all the necessary interfaces and I/O expansion required for the PicoZed System-on-Module. The carrier card provides connector interfaces for the on-module Gigabit Ethernet PHY and USB PHY, and also supports common processor system interfaces including  $\mu$ SD card and USB-UART. A majority of the PicoZed's programmable logic I/O are made available through an LPC FMC connector. In addition, an HDMI output port, a second Gigabit Ethernet port, and several peripheral module connectors are included. The four serial transceivers on the 7015 and 7030 SOMs are allocated to a x1 PCIe Gen2 card edge interface, the FMC connector, a SFP+ cage, and a general purpose SMA interface.



## Features

- Memory
  - microSD card socket with 4GB microSD Card
- Communications
  - x1 PCIe Gen 2
  - SFP+ cage
  - SMA port for GTX/GTP
  - 10/100/1000 Ethernet connector
  - 10/100/1000 Ethernet PHY and connector
  - USB 2.0 connector
  - USB UART
- User I/O
  - FMC (Low Pin Count)
  - PS Pmod (Shared with eMMC)
  - PL Pmod #1 (7015/20/30 only)
  - PL Pmod #2 (7015/30 only)
- Other
  - HDMI output port
  - JTAG configuration port
  - Programmable clock mux
  - SMA reference clock input
  - User push buttons and LEDs
  - Adjustable bank voltage power supplies

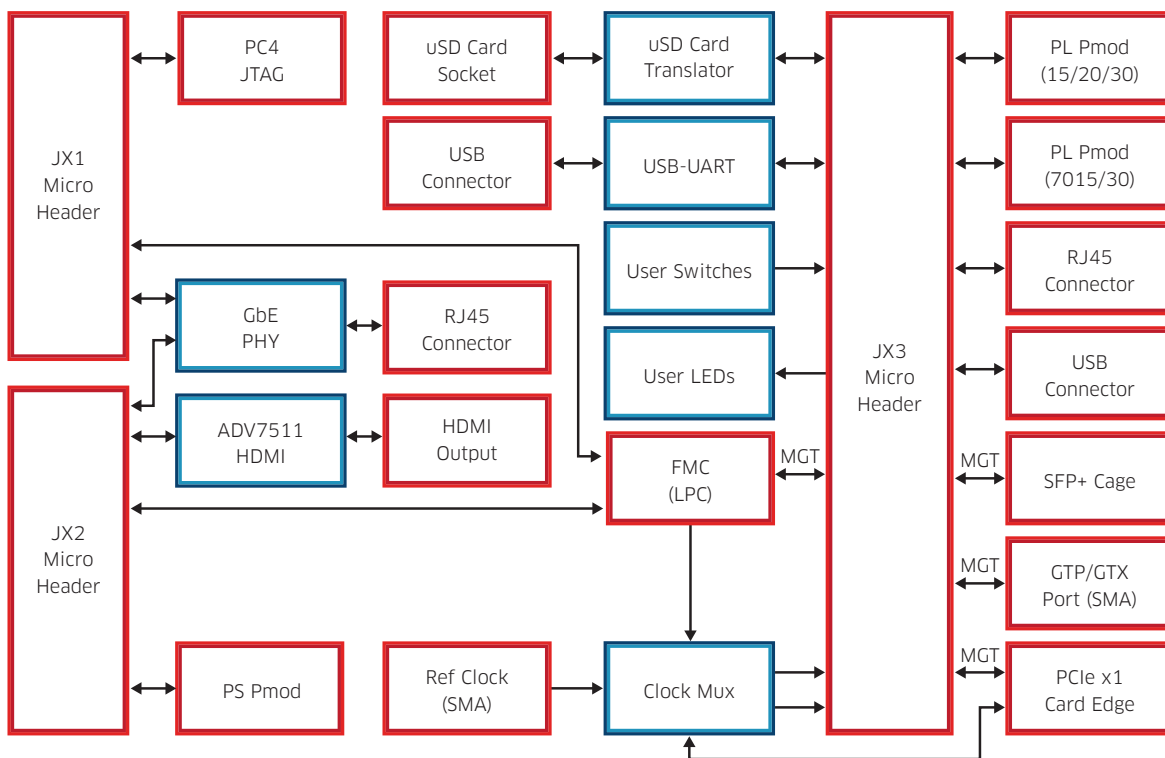
## Target Applications

- PicoZed™ prototyping
- PCIe prototyping
- FMC prototyping

## Kit Includes

- PicoZed™ FMC Carrier Card
- 12 V AC/DC power supply
- Quick start card
- microUSB cable
- USB Adapter: Male Micro-B to Female Standard-A
- PicoZed mounting hardware
- microSD Card 4GB

## Block Diagram



## Featured Manufacturers



## Ordering

Part Number	Hardware Description	Resale
AES-PZCC-FMC-G	PicoZed™ FMC Carrier Card	\$425 USD

### RELATED PARTS

### RESALE (100-499\*)

AES-Z7PZ-7Z010-SOM-G	7010 PicoZed SOM	\$179 USD
AES-Z7PZ-7Z015-SOM-G	7015 PicoZed SOM	\$299 USD
AES-Z7PZ-7Z020-SOM-G	7020 PicoZed SOM	\$229 USD
AES-Z7PZ-7Z030-SOM-G	7030 PicoZed SOM	\$399 USD

\*contact your local Avnet sales office for pricing on higher quantities

## Contact Information

### North America

2211 South 47th Street  
Phoenix, Arizona 85034  
United States of America  
eval.kits@avnet.com  
1-800-585-1602

### Europe

Gruber Str. 60c  
85586 Poing  
Germany  
marketing@silica.com  
+49-8121-77702

### Japan

Yebisu Garden Place Tower, 29F  
4-20-3 Ebisu, Shibuya-ku,  
Tokyo 150-6029 Japan  
eval-kits-jp@avnet.com  
+81-(0)3-5792-8210

### Asia

151 Lorong Chuan,  
#06-03 New Tech Park  
Singapore 556741  
XilinxAPAC@avnet.com  
+65-6580-6000