

# Avnet Product Brief

## Blackfin® Embedded Vision Starter Kit



DESIGNED BY AVNET

### Features

- >> Blackfin BF609 Processor
  - >> Dual core Blackfin
  - >> Up to 500 MHz/1000 MMACs per core
  - >> Pipeline Vision Processor (PVP) with HD support
- >> Memory
  - >> 128 MB DDR2 memory
  - >> 32 Mb Quad SPI Flash
  - >> microSD card cage
- >> Connectivity
  - >> 10/100 Ethernet
  - >> USB 2.0 OTG
  - >> USB UART
- >> Video I/O
  - >> 720p CMOS color sensor
  - >> HBLEDs for image illumination
  - >> HDMI Output port
- >> Misc. User Interfaces
  - >> User Push button switches (2)
  - >> User LEDs (4)
  - >> I<sup>2</sup>C Temperature Sensor
- >> Clocking
  - >> Programmable Clock Synthesizer
  - >> Configure clocks to Ethernet,
  - >> Camera, DSP, HDMI, and USB
- >> Debug/Programming
  - >> ICE-100B JTAG Debug interface
  - >> Boot mode DIP switches
- >> Power
  - >> 5 V DC input
- >> Dimensions
  - >> Length: 4 inches
  - >> Width: 3 inches
- >> Certification
  - >> CE and RoHS certified

### Target Markets

- >> Industrial/Machine vision
- >> Military Vision applications
- >> Safety monitoring
- >> Security camera analytics
- >> Robot vision
- >> Traffic/Vehicle monitoring/tracking
- >> Building automation
- >> Bar code scanning
- >> Digital signage
- >> Gesture recognition
- >> Medical Vision applications
- >> Thermal imaging camera



 **FinBoard™**

Avnet's Blackfin Embedded Vision Starter Kit, featuring FinBoard, combines a versatile hardware platform with the necessary software development tools to enable the building of high performance, embedded vision systems. Based on the low-cost, dual core Blackfin BF609 processor, the kit is ideal for exploring advanced video analytics. The Pipeline Vision Processor (PVP) included on the BF609, simplifies and accelerates image processing algorithms. The CrossCore™ Embedded Studio development tools streamline software development, while the included ICE-100B In-Circuit Emulator speeds application debug. The Starter Kit (AES-BF609-EVSK-G) includes it all and is a great way to begin exploring the growing applications of embedded vision technology.

### Kit Includes

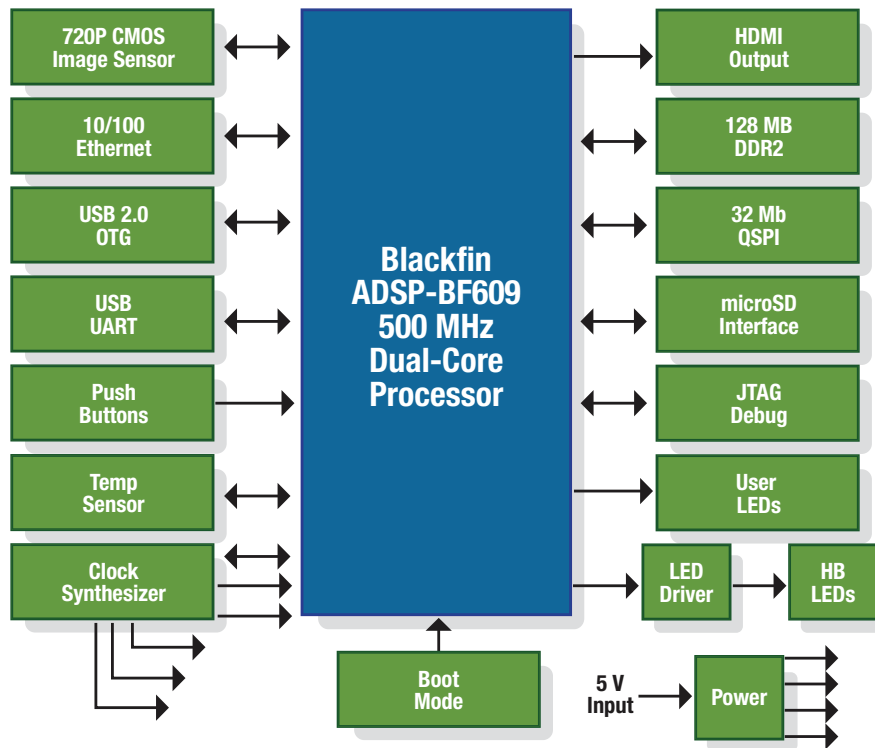
- >> FinBoard
- >> Analog Devices ICE-100B JTAG debugger
- >> 2 GB microSD card
- >> 5 V Power supply
- >> HDMI cable
- >> Micro USB cable
- >> Tripod
- >> 5 White dice
- >> 12-month CrossCore™ Embedded Studio license (two, 6-month licenses)
- >> Quick Start card
- >> Downloadable documentation and reference designs

For more information, visit [www.Finboard.org](http://www.Finboard.org)



Accelerating Your Success™

# Blackfin® Embedded Vision Starter Kit



## Featured Manufacturers



## Ordering

Part Number	Hardware	Resale
AES-BF609-EVSK-G	Blackfin Embedded Vision Starter Kit	\$299 USD

To purchase this kit, visit [www.FinBoard.org](http://www.FinBoard.org)

## Contact Information

### North America

2211 South 47th Street  
Phoenix, Arizona 85034  
United States of America  
eval.kits@avnet.com  
1-800-585-1602

### Europe

Gruber Str. 60c  
85586 Poing  
Germany  
marketing@silica.com  
+49-8121-77702

### Japan

Yebisu Garden Place Tower, 29F  
4-20-3 Ebisu, Shibuya-ku,  
Tokyo 150-6029 Japan  
eval-kits-jp@avnet.com  
+81-(0)3-5792-8210

### Asia

151 Lorong Chuan,  
#06-03 New Tech Park  
Singapore 556741  
XilinxAPAC@avnet.com  
+65-6580-6000

