

Ultra96-V2-Errata概要-



PMICの過電流Warningが出る

ROCKY PMIC #2

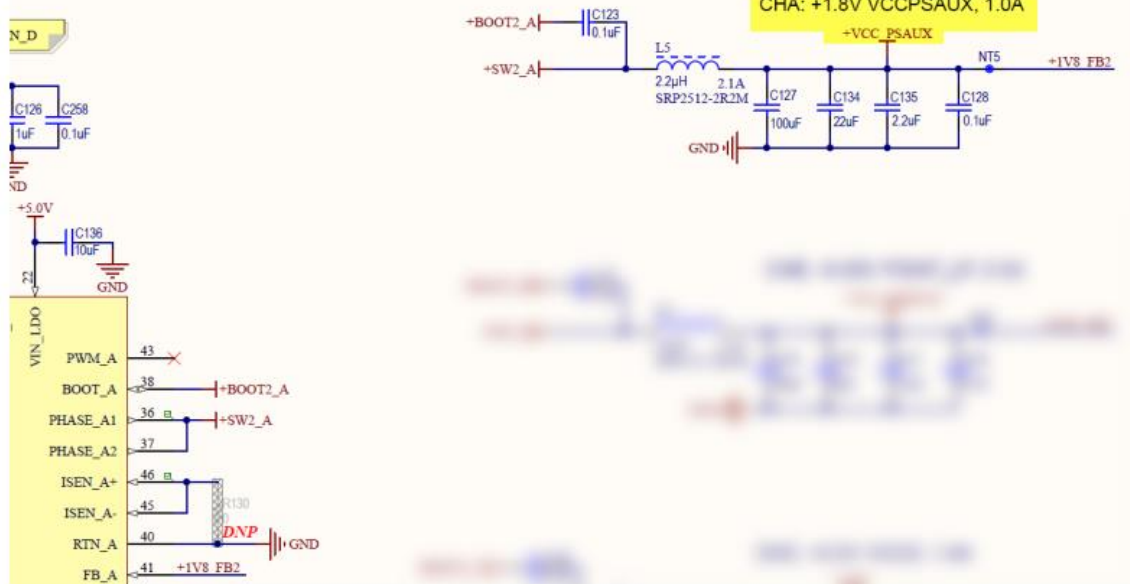


Figure 3 – Ultra96-V2 Schematic Page for Pmic #2, 0x14

Errata内容

-Pmicの閾値の設定値が低すぎたため、電流がスパイクした際に、warningのトリガーとなっております。

Workaround

-評価ボードを使用する上では、問題ないので、無視してください。Warningを消したい際には、閾値を1.5Aに設定してください。

Quick Start Card誤記

Ultra96-V2

GETTING STARTED:

- The microSD card in your kit is blank and must have the Linux boot files programmed. Go to avnet.me/ultra96-v2-pcb to download the microSD card image.
- Follow the instructions to use Etcher to program the microSD card with the image.
- Insert the microSD card into the microSD socket (J2).
- Set the Boot Mode Switch (SW3) to SD boot, with switch 1 = OFF and 2 = ON as shown.
- Attach a 12V DC power supply to the DC Power Supply Jack (J10). NOTE: DC power supply is not included in the Ultra96-V2 kit. It must be purchased as an accessory. Green LED D17 will light indicating 12V power is live.
- Press and release the power button (SW4). The Green Power On LED (D2), Red INIT_B LED (D5) and the Green User LEDs should also illuminate. After a few seconds, INIT_B LED will turn off and the Blue DONE LED (D1) will illuminate.
- The Ultra96-V2 has now booted Linux and several experiments are possible. Please go to avnet.me/ultra96-v2 and download the [Getting Started Guide](#) for more instructions.
- When finished, press and release the power button (SW4) to initiate a shutdown sequence, which takes about 12 seconds. All LEDs with the exception of D17 will turn off. D17 will extinguish once the barrel jack is unplugged.

Visit avnet.me/ultra96-v2 for kit documentation and other reference designs.

*The Ultra96-V2 Development Kit is designed for product evaluation at research and development facilities by trained professionals. The board included in the kit is not intended for production use unless additional end product testing and certification is performed.

AVNET
Reach Further™

40-pin Low-speed expansion header (J5)	INIT_B LED (D5)	60-pin High speed expansion header (J4)	12V Power Input (J10)	Wi-Fi/Bluetooth (U2)
Boot mode switch (SW3)	1x User Push Button (SW1)	Power On LED (D2)	DONE LED (D1)	microSD Socket (J2)
Mini DisplayPort (J6)	Wireless LAN (D9) and Bluetooth (D10) LEDs	1x USB 3.0 Type Micro-B upstream Port (J7)	2x USB 3.0 Type A downstream ports (J8 and J9)	4x User LEDs (D3, D4, D6, D7)
				12V VIN LED (D10)
				Power Button (SW4)
				Reset Button (SW2)

SAFETY WARNINGS: This product shall only be connected to an external power supply rated at 12V DC that provides a minimum current of 2A. Any external power supply used with Ultra96-V2 shall comply with relevant regulations and standards applicable in the country of intended use. Only compatible plug-in modules shall be connected to Ultra96-V2. The connection of incompatible devices may affect compliance or result in damage to the unit and void the warranty. This product shall be operated in a well-ventilated environment. If a case is used, it shall have adequate ventilation. Do NOT connect or disconnect any Mezzanine or Pod without first unplugging 12V power from the barrel jack at J10.

/ ULTRA96

Errata内容

-左記付属カードに誤記があります。Step8にて、電源オフにした場合、すべてのLEDが消えると書いてありますが、実際には、D17は光つづけます。（電源アダプタが挿さっている限り）

Workaround

-<http://ultra96.org/support/documentation/28476>よりUpdateされた Quick Start Cardをダウンロードしてください。

Getting Started Guides

Ultra96-V2 Quick-Start

13.Jun.19

Download

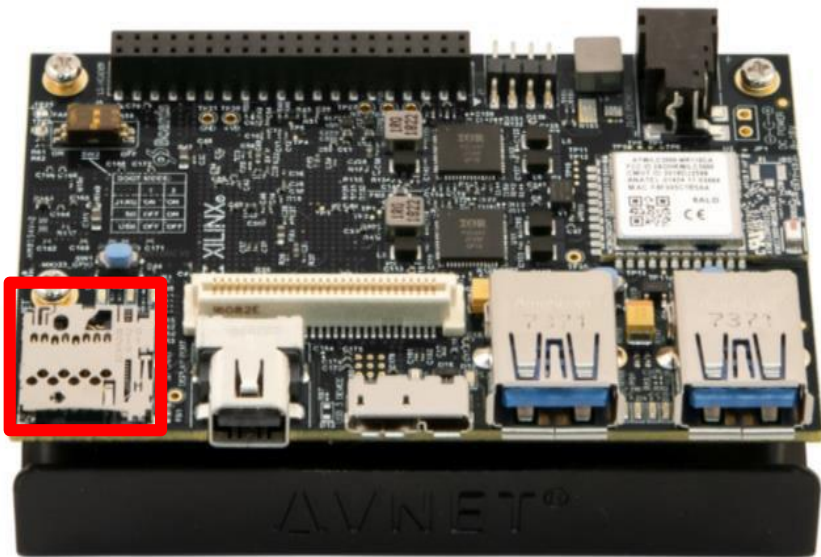
SD card cage不良

Errata内容

-赤枠のSDカードケージにて、付属SDカードの出し入れがスムーズに行われない場合があります。(全てのボードに見れる現象ではありません。)

Workaround

-付属のSDカードより、出し入れスムーズなSanDiskマイクロSDカードをご提供いたします。(ご希望の際は別途支給の為、ご連絡ください)



該当ロット識別方法

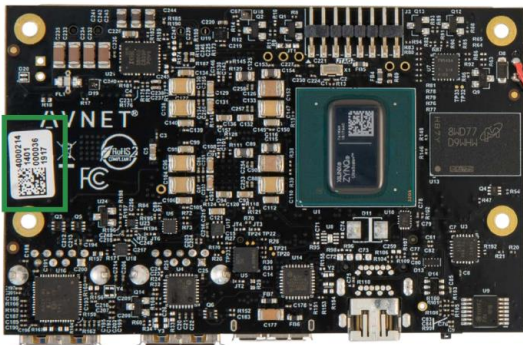


Figure 1 – Ultra96-V2 Backside (Bracket Removed)

番号確認

-ボード裏に記載してある製造日ラベルの4桁番号を確認してください。(左記緑枠なし、その下の拡大図)

1917とは2019年の17週目に製造、すなわち4月21日の週



Figure 2 – Datecode of 1917 is 17th week of 2019, which is week of April 21st

識別方法

- Pmicの過電流warning: ラベル4桁番号が1927ないし、それより前の番号は該当
- Quick Start Card誤記 :ラベル4桁番号が1927ないし、それより前の番号は該当
- SD Card Cage不良 :ラベル4桁番号が1923ないし、それより前の番号は該当可能性有り