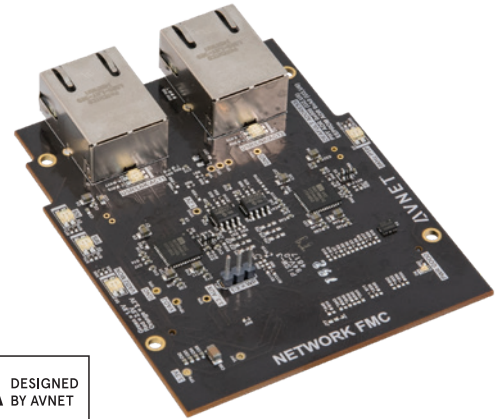


The Avnet Network FMC Module enables Industrial Ethernet digital communications, which is a key component to Industry 4.0 applications. The module is designed to operate with any Avnet or Xilinx base board that is FMC enabled. Utilizing the dual compatible 10/100/1000 Ethernet PHYs, the Network FMC Module can quickly get you started with Xilinx FPGA and SoC based designs.

## FEATURES

- FMC LPC single-width module
- Dual RGMII 10/100/1000 Ethernet PHY
- Dual Ethernet MAC ID EEPROM
- IPMI EEPROM
- Bi-Color Status LEDs
- 3.3V - 1.8V IO Voltage compatibility

To purchase this kit, visit <http://avnet.me/fmc-network1>



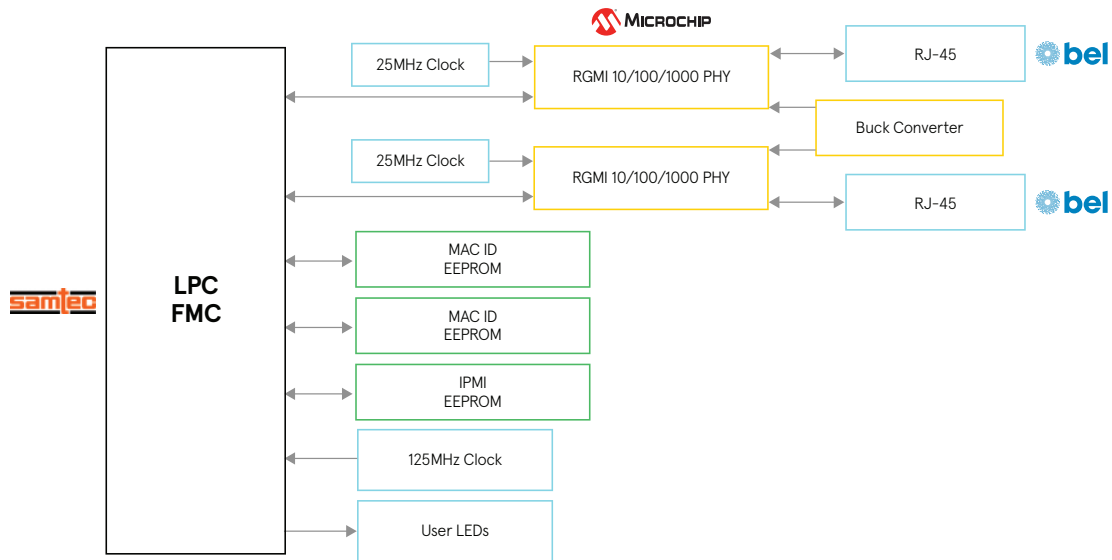
## KIT INCLUDES

- Network FMC Module
- Downloadable Schematics, BOM, and User Guide

## TARGET APPLICATIONS

- Industrial Ethernet
- Gigabit Ethernet Switch
- Industrial IoT Gateway
- Hardware Accelerated Router
- Traffic Monitoring
- Time-Sensitive Networking (TSN) Real-Time

## BLOCK DIAGRAM



## FEATURED MANUFACTURERS



## PARTS

Part Number	Description	Resale
AES-FMC-NETW1-G	Dual Gigabit Networking FMC Module	\$149 USD

## RELATED PARTS

Part Number	Description	Resale
AES-ZU3EG-1-SOM-G	UltraZed-EG SOM (Extended Temp)	\$485 USD
AES-ZU3EG-1-SOM-I-G	UltraZed-EG SOM (Industrial Temp)	\$535 USD
AES-ZU-PCIECC-G	UltraZed PCIe Carrier Card	\$499 USD

Countries Available for Purchase: Americas, EMEA, Asia, Japan

## CONTACT INFORMATION

**North America**  
2211 S 47<sup>th</sup> Street  
Phoenix, Arizona 85034  
United States of America  
eval.kits@avnet.com  
1-800-585-1602

**Europe**  
Gruber Str. 60c  
85586 Poing  
Germany  
marketing@silica.com  
+49-8121-77702

**Europe (EBV)**  
Im Technologypark 2-8  
85586 Poing  
Germany  
<http://ebv.com/contact>

**Japan**  
Yebisu Garden Place Tower, 23F  
4-20-3 Ebisu, Shibuya-ku  
Tokyo 150-6023 Japan  
eval-kits-jp@avnet.com  
+81-(0)3-5792-8210

**Asia**  
151 Lorong Chuan  
#06-03 New Tech Park  
Singapore 556741  
XilinxAPAC@avnet.com  
+65-6580-6000