

# Xilinx Zynq®-7000 All Programmable SoC Mini-ITX Development Kit

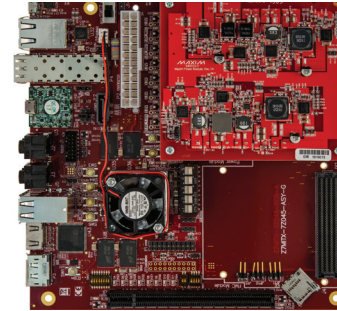
The Xilinx Zynq®-7000 All Programmable SoC Mini-ITX Development Kit provides a complete development platform for designing and verifying applications based on the Xilinx Zynq-7000 All Programmable SoC family. Designed to the industry standard Mini-ITX form factor, the Xilinx Zynq-7000 All Programmable SoC Mini-ITX development board packages all the necessary functions needed for an embedded processing system.

Available with the Zynq XC7Z045-2FFG900 or the XC7Z100-2FFG900 device, the Mini-ITX kit enables designers to prototype high-performance designs with ease, while providing expandability and customization through the FMC HPC expansion slot. In addition to the Xilinx Zynq-7000 All Programmable SoC XC7Z045 or XC7Z100 device, the Zynq Mini-ITX development board features 2 GB DDR3 SDRAM, PCIe Gen2 x16 Root Complex slot (x4 electrical), SATA-III interface, SFP interface, QSPI Flash memory, HDMI interface, LVDS touch panel interface, Audio Codec, a 10/100/1000 Ethernet PHY, a USB 2.0 4-port hub, a microSD card interface, and a USB-UART port.

## FEATURES

- Xilinx XC7Z045/XC7Z100-2FFG900
- 1 GB PS DDR3 SDRAM
- 1 GB PL DDR3 SDRAM
- 32 MB of QSPI Flash
- 8 KB of I2C EEPROM
- Real-Time Clock
- 10/100/1000 Ethernet Interface
- USB-UART Interface
- microSD Card Interface
- USB 2.0 4-Port HUB
- PCIe Gen2 x4 Root Complex (x16 physical Slot)
- SATA-III Interface
- FMC HPC Slot (VADJ of 1.8 V, 2.5 V, or 3.3 V)
- SFP Socket
- LVDS Touch Panel Interface
- HDMI Interface
- Audio Codec
- User LEDs and Switches
- Programmable LVDS Clock Source (GTX reference clock)
- 200 MHz LVDS Oscillator (system clock)
- JTAG Header
- Processor PJTAG Header
- Digilent USB-JTAG Module (JTAG-SMT2)

To purchase this kit, visit [www.zedboard.org](http://www.zedboard.org)



## TARGET APPLICATIONS

- PCI Express
- Embedded controllers
- General-purpose prototyping
- Networking and communications
- Storage and servers
- Video applications

## KIT INCLUDES

### Mini-ITX Base Kit

- Zynq Mini-ITX Board Kit
- FMC adapter
- Two micro USB cables
- 4 GB microSD card
- 200 W ATX power supply
- Xilinx Vivado® Design Edition software license voucher (device locked to 7Z045 or 7Z100)
- Getting Started Card
- Downloadable documentation and reference designs

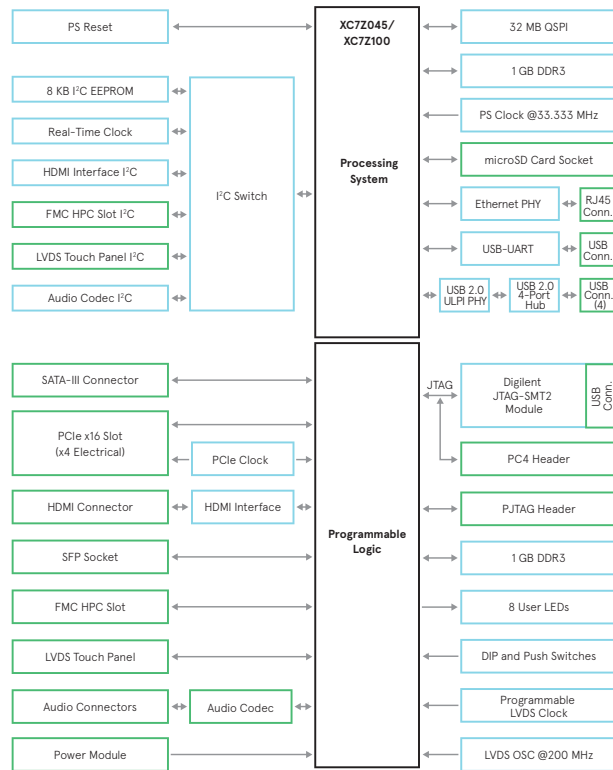
### Mini-ITX Board Kit

- Zynq Mini-ITX development board
  - Zynq XC7Z045-2FFG900 or XC7Z100-2FFG900 device
  - Power module

### Mini-ITX System Kit

- Zynq Mini-ITX Base Kit
- Mini-ITX Chassis
- 500 GB SATA-III Hard Drive

## BLOCK DIAGRAM



**Zynq Mini-ITX  
Development Board**

## FEATURED MANUFACTURERS



## PARTS

Part Number	Description	Resale
AES-Mini-ITX-7Z045-G	Xilinx Zynq-7000 AP SoC XC7Z045 Mini-ITX*	\$1,950 USD**
AES-Mini-ITX-7Z100-G	Xilinx Zynq-7000 AP SoC XC7Z100 Mini-ITX*	\$2,150 USD**
AES-Mini-ITX-7Z045-BAS-G	Xilinx Zynq-7000 AP SoC XC7Z045 Mini-ITX Base Kit	\$1,995 USD
AES-Mini-ITX-7Z100-BAS-G	Xilinx Zynq-7000 AP SoC XC7Z100 Mini-ITX Base Kit	\$2,195 USD
AES-Mini-ITX-7Z045-SYS-G	Xilinx Zynq-7000 AP SoC XC7Z045 Mini-ITX System Kit	\$2,295 USD
AES-Mini-ITX-7Z100-SYS-G	Xilinx Zynq-7000 AP SoC XC7Z100 Mini-ITX System Kit	\$2,495 USD

\*Base kit without 200 W ATX Power Supply

\*\*Pricing for 1-24 pieces. Contact your local Avnet sales office for pricing on higher quantities

## CONTACT INFORMATION

**North America**  
2211 S 47th Street  
Phoenix, Arizona 85034  
United States of America  
eval.kits@avnet.com  
1-800-585-1602

**Europe**  
Gruber Str. 60c  
85586 Poing  
Germany  
marketing@silica.com  
+49-8121-77702

**Europe (EBV)**  
Im Technologiepark 2-8  
85586 Poing  
Germany  
<http://ebv.com/contact>

**Japan**  
Yebisu Garden Place Tower, 23F  
4-20-3 Ebisu, Shibuya-ku  
Tokyo 150-6023 Japan  
eval-kits-jp@avnet.com  
+81-(0)3-5792-8210

**Asia**  
151 Lorong Chuan,  
#06-03 New Tech Park  
Singapore 556741  
ASIA-EM-ADS@avnet.com  
+65-6580-6000