

Xilinx® Spartan®-6 FPGA LX9 MicroBoard

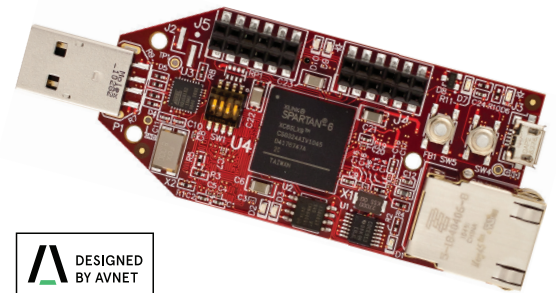


The low-cost Spartan-6 FPGA LX9 MicroBoard is the perfect solution for designers interested in exploring the MicroBlaze™ soft processor or Spartan-6 FPGAs in general. The kit comes with several pre-built MicroBlaze “systems” allowing users to start software development just like any standard off-the-shelf microprocessor. The included Software Development Kit (SDK) provides a familiar Eclipse-based environment for writing and debugging code. Experienced FPGA users will find the MicroBoard a valuable tool for general purpose prototyping and testing. The included peripherals and expansion interfaces make the kit ideal for a wide variety of applications. From a system running an RTOS to a Linux-based web server, the Spartan-6 FPGA LX9 MicroBoard can help you validate your next design idea.

FEATURES

- Spartan-6 XC6SLX9-2CSG324C FPGA
- 64 MB LPDDR SDRAM
- 128 Mb Multi-I/O SPI Flash
- 10/100 Ethernet PHY
- USB-to-UART port
- On-board USB JTAG circuitry
- Two 2x6 PMOD expansion ports
- Single-chip, 3-rail power with Power Good indicator
- Programmable clock chip
- Over-voltage and ESD protection on USB
- Four LEDs
- 4-bit DIP switch
- Reset and PROG push-buttons

To purchase this kit, visit avnet.com/us/s6microboard



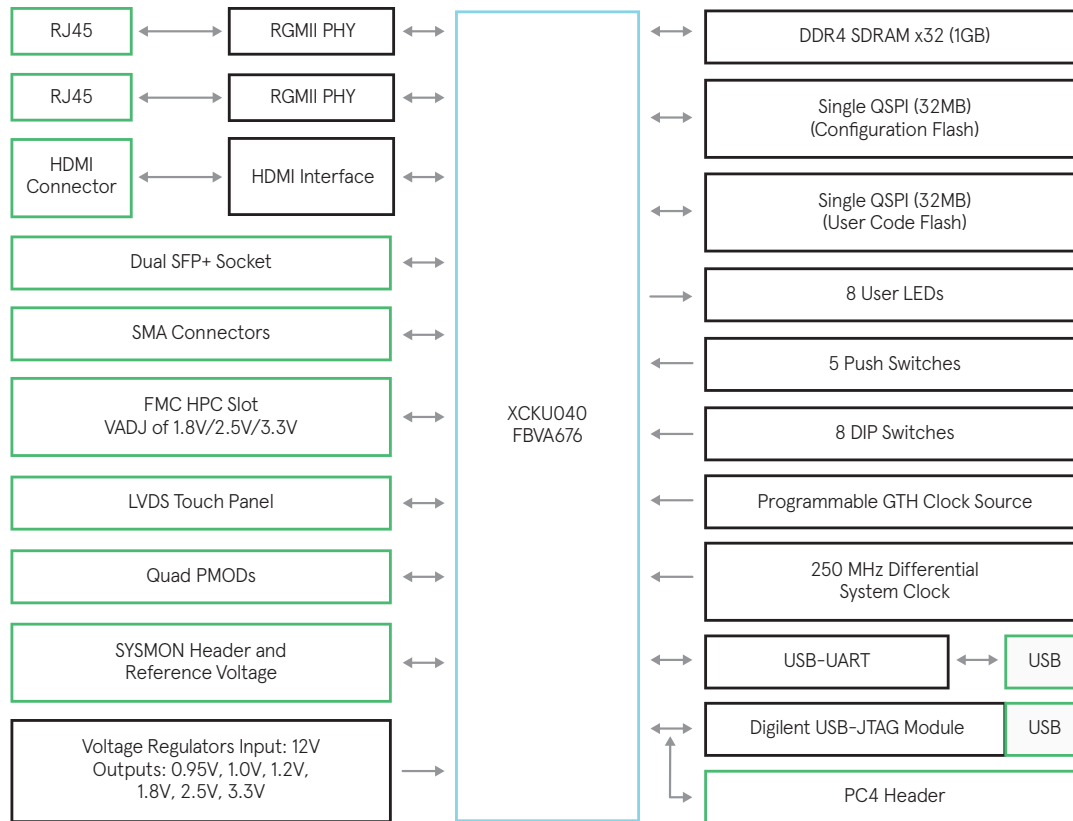
KIT INCLUDES

- Spartan-6 FPGA LX9 MicroBoard
- ISE® WebPACK® software with device locked SDK and ChipScope licenses
- Micro-USB and USB Extension cables
- Printed documentation and Getting Started Demo
- Downloadable documentation and reference designs

TARGET APPLICATIONS

- Embedded microcontrollers
- General purpose FPGA prototyping
- Web server
- Test and measurement

BLOCK DIAGRAM



FEATURED MANUFACTURERS



PARTS

Part Number	Description	Resale
AES-S6MB-LX9-G	Xilinx Spartan-6 FPGA LX9 MicroBoard	\$89 USD

CONTACT INFORMATION

North America
 2211 S 47th Street
 Phoenix, Arizona 85034
 United States of America
 eval.kits@avnet.com
 1-800-585-1602

Europe
 Gruber Str. 60c
 85586 Poing
 Germany
 marketing@silica.com
 +49-8121-77702

Japan
 Sphere Tower Tennozu 11F
 2-2-8, Higashi-Shinagawa
 Shinagawa-ku, Tokyo
 eval-kits-jp@avnet.com
 +81-3-6894-3700

Asia
 151 Lorong Chuan
 #06-03 New Tech Park
 Singapore 556741
 XilinxAPAC@avnet.com
 +65-6580-6000