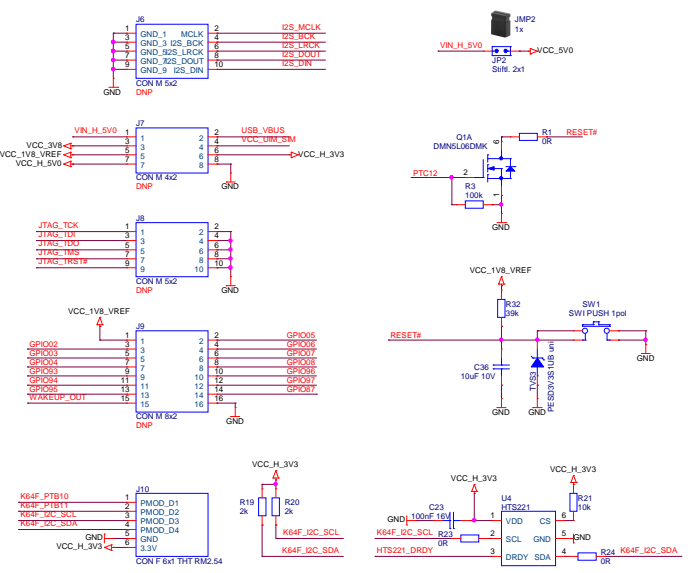


One Row
Arduino Shield I/O Connectors

Two Rows



Board-ID:

PCB: LP PCB A/UT Cellular Shield V1 (124313)

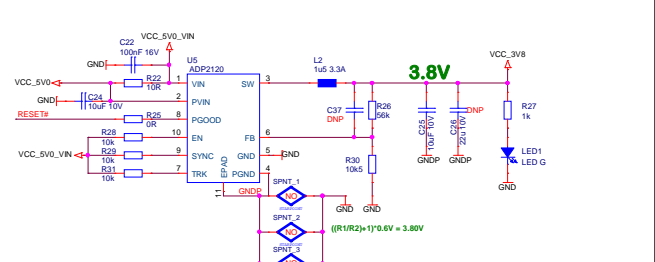
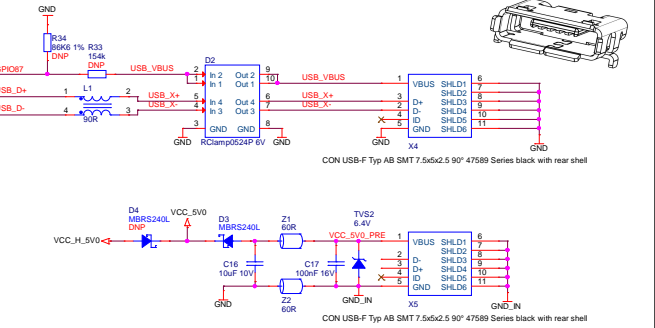
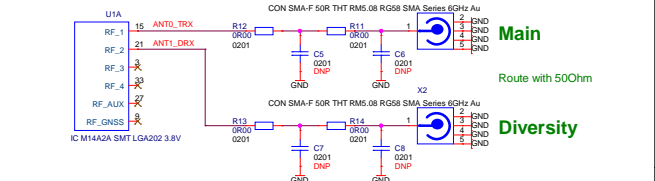
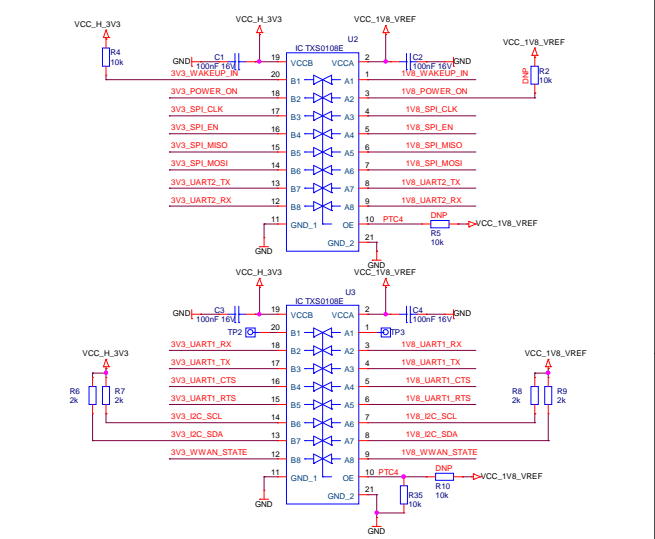
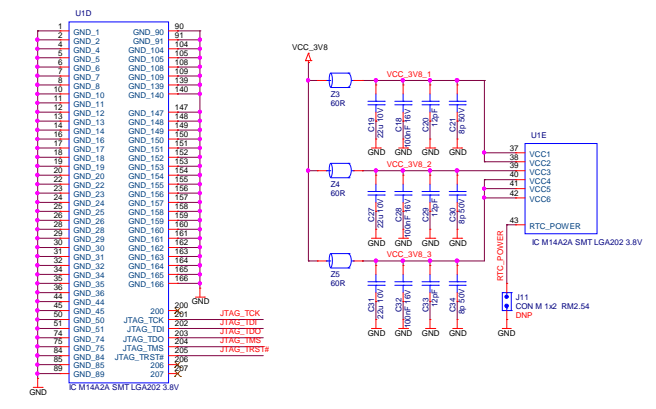
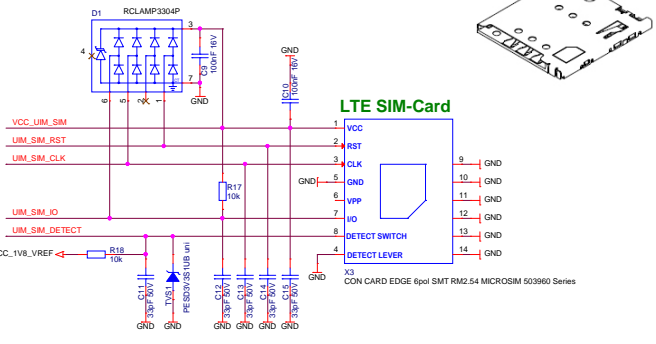
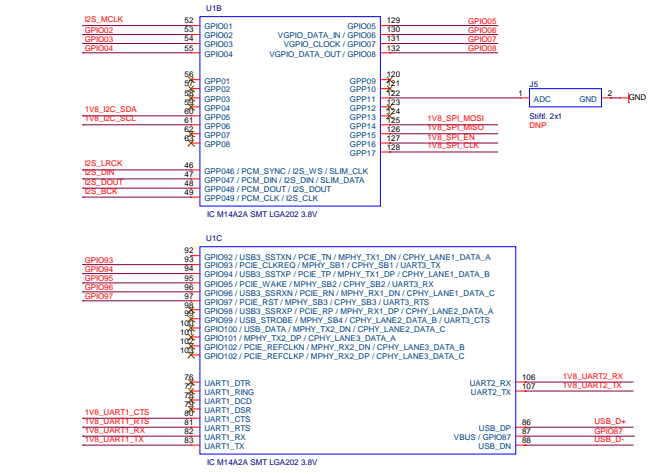
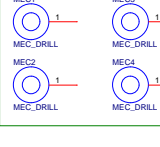
Fiducials:



Badmarks:



Mechanicals:



Q/Ver	1.0A	18	19/18	Revision
Proj No.	12437	Revision	Valid Cnt	Decision
Proj Name	AT&T Cellular IoT Starter Kit			
Sheet	1			
Document	01			
Copyright	© TSC Technologies Industriest. 18 D-75297 Schwanau Germany			
Last modified	Saturday, July 02, 2016 17:46:17			
Created	Monday, May 16, 2016 16:50:33			
Page	1 of 1			