

Dear Customer,

Please find attached our INFINEON Technologies PCN:

Additional assembly site for TO-220 products - Revised D2Pak removed

Important information for your attention:

- Infineon aligns with the widely-recognized JEDEC STANDARD "JESD46", which stipulates:
"Lack of acknowledgment of the PCN within 30 days constitutes acceptance of the change."

Your prompt reply will help Infineon Technologies to assure a smooth and well executed transition. If Infineon does not hear from your side by the due date, we will assume your full acceptance to this proposed change and its implementation.

Your attention and response to this matter is greatly appreciated.



On January 13, 2015, Infineon Technologies acquired International Rectifier. The organization and business of former International Rectifier have been integrated into Infineon. That means that customer facing IT tools and processes like PCN, Information Note and Product Discontinuation are being merged consolidated.

For further details please visit our website:

<http://www.infineon.com/powerfulcombination>

Infineon Technologies AG
Chairman of the Supervisory Board: Wolfgang Mayrhuber
Management Board: Dr. Reinhard Ploss (CEO), Dominik Asam, Arunjai Mittal
Registered Office: Neubiberg
Commercial Register: München HRB 126492

Date: Friday, April 15, 2016

PCR Reference: 220

PCN Reference: 220-PCN90-Public

To Our Valued Customer:

As always we appreciate your use of Infineon Technologies semiconductor products. Our commitment to customer satisfaction and continuous improvement is demonstrated by our change plans to enhance capacity, quality and reliability. This notice is to inform you of the following change:

We would like to express our sincere appreciation for your cooperation regarding the following changes, and Infineon Technologies will work closely with you to support your requirements during this transition.

Type of Change Notification:

Additional assembly site

Description of Change:

Additional assembly site for TO-220 products - **Revised D2Pak removed** Super Power Semiconductors (Korea) will be the alternate assembly site for the part numbers identified in the following page. As a result of this change, the package will change as follows

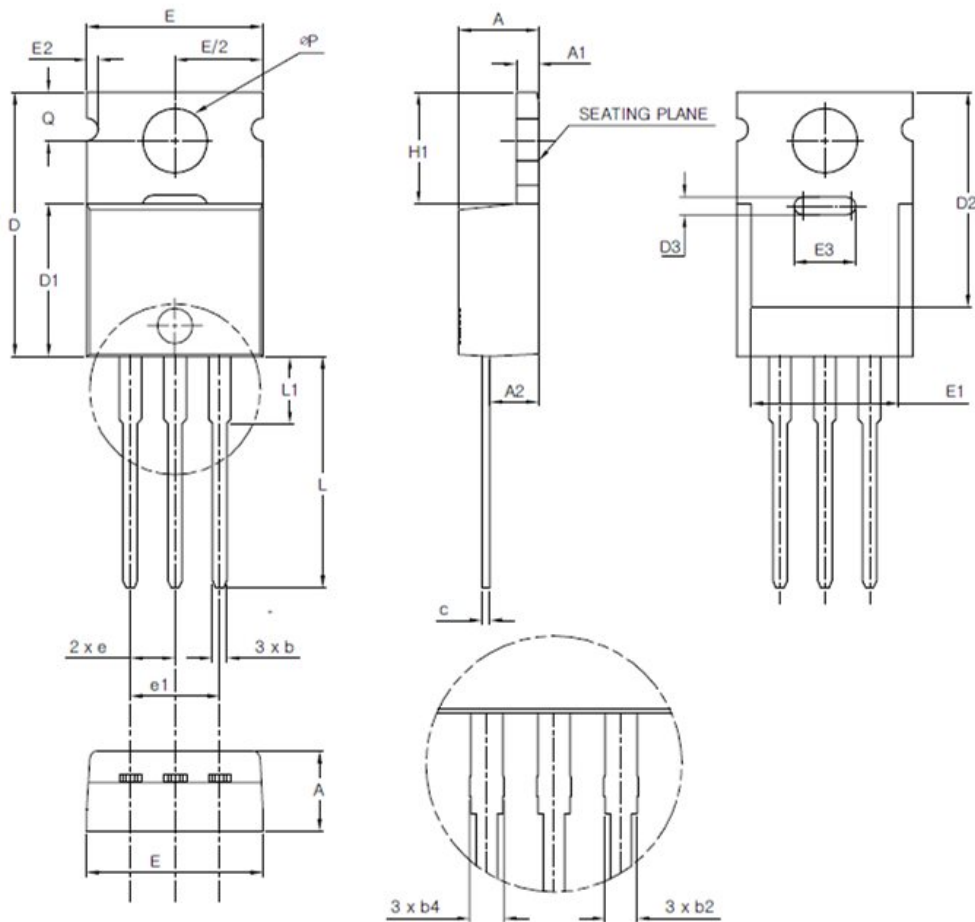
PACKAGE	ITEM	EXISTING	TARGET
TO-220	Assembly site	International Rectifier Mexico	Super Power Semiconductors (SP Korea)
	Mold compound	43-9807	44-1197
	Wire	Ni-doped Aluminum	Aluminum
	Die attach solder	Sn/Ag/Sb	Pb/Sn/Ag
	Leadframe	Selective Ni	Bare Copper
	Lead plating	Sn/0.7Cu Solder Dip	100 Matte Sn

Package Outline Comparison TO-220

TO220-AB POD COMPARISON

Unit of measurement: mm

Reference	IR POD		SP POD		JEDEC POD	
	Min	Max	Min	Max	Min	Max
A	3.56	4.83	3.56	4.83	3.56	4.83
A1	0.51	1.40	0.51	1.40	0.51	1.40
A2	2.03	2.92	2.03	2.92	2.03	2.92
b	0.38	1.01	0.38	1.01	0.38	1.01
b2	1.14	1.78	1.14	1.78	1.14	1.78
c	0.36	0.61	0.36	0.61	0.36	0.61
D	14.22	16.51	14.22	16.51	14.22	16.51
D1	8.38	9.02	8.38	9.02	8.38	9.02
D2	11.68	12.88	11.68	12.88	12.19	12.88
E	9.65	10.67	9.65	10.67	9.65	10.67
E1	6.86	8.89	6.86	8.89	6.86	8.89
e	100 BSC		100 BSC		100 BSC	
H1	5.84	6.86	5.84	6.86	5.84	6.86
L	12.70	14.73	12.70	14.73	12.70	14.73
L1	3.56	4.06	3.56	4.06	3.56	4.06
ØP	3.54	4.08	3.54	4.08	3.54	4.08
Q	2.54	3.42	2.54	3.42	2.54	3.42



D2PAK (SMD) PRODUCTS REMOVED FROM CHANGE

Reason for the Change:

Additional assembly capacity and Bill of Materials consolidation.

Effect Date:

Thursday, October 08, 2015

Impact of Change:

No impact is expected for typical applications. The new assembly site will meet the same qualification level as the existing products. Datasheet will not be modified as the result of this change in assembly site and bill of materials.

Method of Identifying Changed Product:

Datecode and Lotcode information

Process / Product Change Notification



N° 220-PCN90-Public

Products Affected:

IFAM Part	Description
63-0002PBF	
IRG4BC10KDPBF	600V UltraFast 8-25 kHz Copack IGBT in a TO-220AB package
IRG4BC20FDPBF	600V Fast 1-8 kHz Copack IGBT in a TO-220AB package
IRG4BC20KDPBF	600V UltraFast 8-25 kHz Copack IGBT in a TO-220AB package
IRG4BC20SPBF	600V DC-1 kHz (Standard) Discrete IGBT in a TO-220AB package
IRG4BC20UDPBF	600V UltraFast 8-60 kHz Copack IGBT in a TO-220AB package
IRG4BC30FDPBF	600V Fast 1-8 kHz Copack IGBT in a TO-220AB package
IRG4BC30FPBF	600V Fast 1-8 kHz Discrete IGBT in a TO-220AB package
IRG4BC30KDPBF	600V UltraFast 8-25 kHz Copack IGBT in a TO-220AB package
IRG4BC30KPBF	600V UltraFast 8-25 kHz Discrete IGBT in a TO-220AB package
IRG4BC30UDPBF	600V UltraFast 8-60 kHz Copack IGBT in a TO-220AB package
IRG4BC30UPBF	600V UltraFast 8-60 kHz Discrete IGBT in a TO-220AB package
IRG4BC40FPBF	600V Fast 1-8 kHz Discrete IGBT in a TO-220AB package
IRG4BC40SPBF	600V DC-1 kHz (Standard) Discrete IGBT in a TO-220AB package
IRG4BC40UPBF	600V UltraFast 8-60 kHz Discrete IGBT in a TO-220AB package
IRG4BC40WPBF	600V Warp 60-150 kHz Discrete IGBT in a TO-220AB package
IRGB10B60KDPBF	600V UltraFast 10-30 kHz Copack IGBT in a TO-220AB package
IRGB14C40LPBF	430V Low-Vceon Discrete IGBT in a TO-220AB package
IRGB15B60KDPBF	600V UltraFast 10-30 kHz Copack IGBT in a TO-220AB package
IRGB20B60PD1PBF	600V Warp2 150kHz Copack IGBT in a TO-247AC package
IRGB30B60KPBF	600V UltraFast 10-30 kHz IGBT in a TO-220AB package
IRGB4B60KD1PBF	600V Low-Vceon Non Punch Through Copack IGBT in a TO-220 FullPak package
IRGB5B120KDPBF	1200V UltraFast 10-30 kHz Copack IGBT in a TO-220AB package
IRGB6B60KDPBF	600V UltraFast 10-30 kHz Copack IGBT in a TO-220AB package

Qualification:

Parts passed all the reliability testing requirements. Reliability qualification report is available upon request.

Supporting Data Availability:

Contact Infineon Technologies for supporting data on this change.

Contact Information:

CONTACT TYPE	NAME	PHONE	EMAIL
PCN Coordinator	Mark Ogden	+001-951-375-2334	Mark.Ogden@infineon.com
Technical	Cesar Gonzales		Cesar.Gonzales@infineon.com